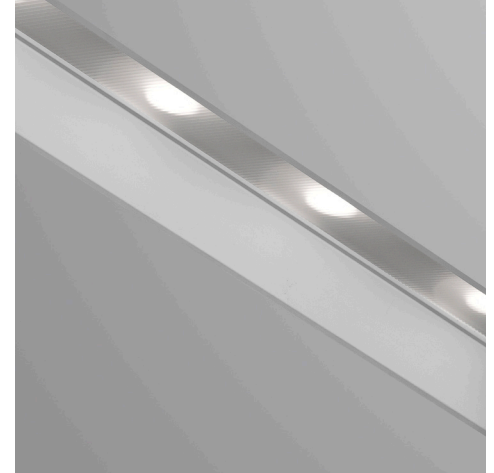


Fully recessed extruded aluminum Accent light housing available in a variety of aperture sizes to accommodate a large range of linear and point sources. Three circuit wireway provides power for a wide array of lighting elements that can be located anywhere along the length of the housing. Optional fourth circuit for indirect ambient light. Available in flanged and flangeless trims and with optional aperture lenses.

Useful in applications such as museum, retail and residential environments; the system is totally flexible with lighting elements that may be easily changed in the field to respond to varying architectural conditions. The 3000 series is a tool that allows the designer to create a unified design that is easier to understand and results in a space that is more comfortable to inhabit.



## COMPATIBILITY GUIDE

Model	Aperture	Dimensions W x H	Direct Component	Indirect Option
3075	5"	13 1/4" x 6 7/8"	ALR12, ALR56, MR16, MR16MH, T4MH	LED, T3, T5, T8
3095	5"	13 1/4" x 9"	All of the above plus PAR20, PAR20MH, PAR30	LED, T3, T5, T8
3097	7"	15 1/4" x 9"	All of the above plus AR111, PAR36	LED, T3, T5, T8
3107	7"	15 1/4" x 10"	All of the above plus PAR30MH	LED, T3, T5, T8
3117	7"	15 1/4" x 10 1/2"	All of the above plus PAR38, PAR38MH	LED, T3, T5, T8

## TECHNICAL SHEET REFERENCE

Use the model, lamp and housing code to find the technical sheet for the exact configuration you need.  
i.e. 3075-PH-AB

Find technical sheets at [www.specialtylightingindustries.com](http://www.specialtylightingindustries.com)

Model	Housing	Trim
3075	PH	AB
3095	UH	
3107		
3117		

## RELATED PRODUCTS

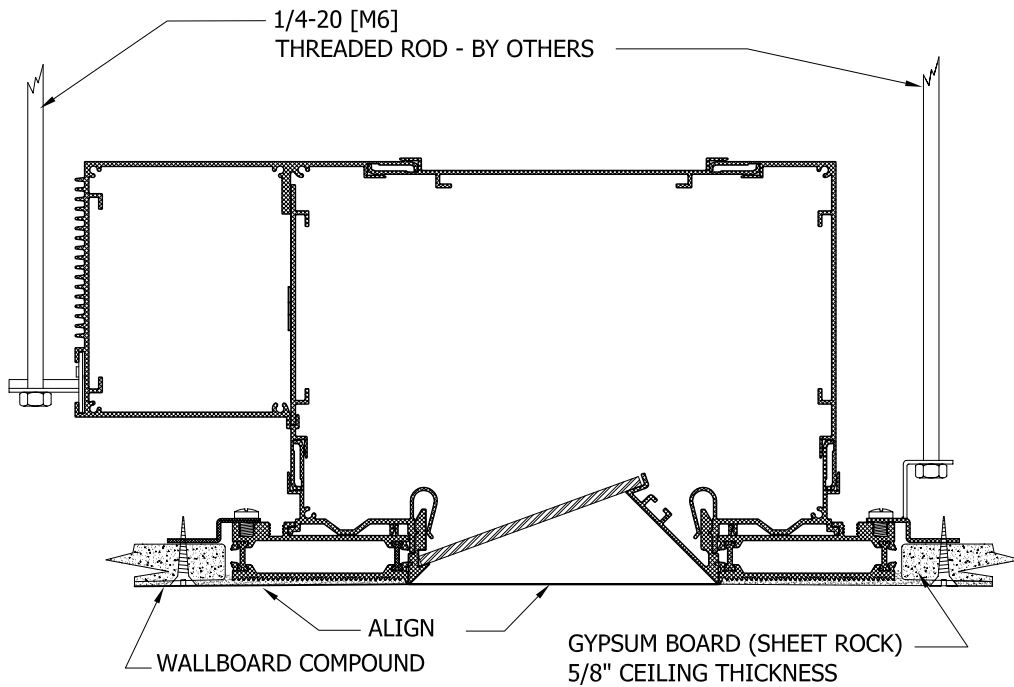
Elements	3200, 3300, 3400
Down light	4009
Accent light	1009
Wall washer	1200

## ACCESSORIES

Aperture lenses  
Mitered corners



### PLASTER HOUSING



### UNIVERSAL HOUSING

