

Single lamp, solid state light engine, decorative mounted down light, nominal 2.25" (57.2mm) aperture. General downlighting in low to medium ceiling heights typically found in residential, commercial and retail applications. Suitable for new or existing construction.

SPECIFICATIONS

HOUSING

- Precision die-formed heavy gauge aluminum with machined adjustable ceiling collar

MOUNTING

- Recessed in sheetrock ceiling

ELECTRICAL

- Remote mounted driver
- 120v-277v primary, standard with 0-10v dimmers, or ELV Phase Control
- Other dimming options available, consult factory

LAMP

- Citizen or AmbientDim™ LED supplied with fixture
- Citizen available in 2700 thru 4000K color temperature and 90+ CRI

SOCKET

- Precision CNC machined lampholder assembly
- Usocket™** allows easy field replacement of light engine

LENS

- Interchangeable reflector provides multiple beam patterns
- Optional borosilicate lenses available for aperture

TRIM

- Spun anodized aluminum reflector cone

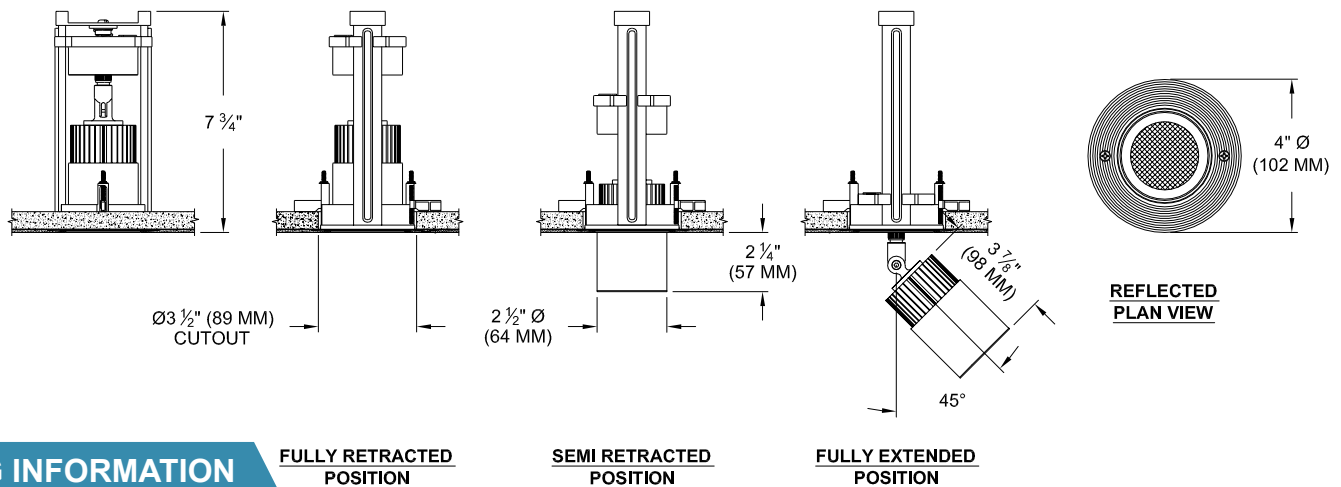
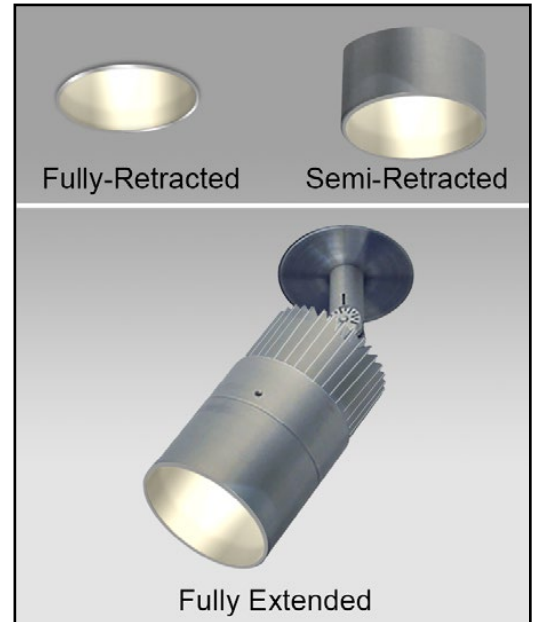
FINISH

- Aperture trim in clear and gold alzak, black or white
- Additional colors and RAL palette available
- Consult factory for custom finishes

LABELS

-  , US tested to UL standards 1598, Damp location

JOB: _____
SPECIFIER: _____
TYPE: _____
QUANTITY: _____
SIGNATURE: _____



ORDERING INFORMATION

2505-LED_PH	TRIM	APERTURE	SOURCE / DRIVER	BEAMSPREAD	TRIM FINISH	APERTURE LENS
	ZT	FA	/			
9 = 90+CRI 27=2700K 30=3000K 35=3500K 40=4000K	ZT= Zero Trim	FA = Flood	CZ14=120-277v, 14W 1100lm AD14=350ma, 14.5W, 1000lm C1 =0-10V dimming, 1%, 120-277v C2 =TRIAC/ELV 2-wire, 1% 120v (Lead/Trail Edge)	15 = 15 Degrees 24 = 24 Degrees 38 = 38 Degrees	CAA = Clear GAA = Gold P14 = White BLK = Black PXX = SLI Color CST = Custom	Blank = None 79A = Veiling Acrylic 91A = Solite
AD= Ambient Dim *CCT Max 3000K-1900K						



Patent Pending.
 These specifications subject to change without notice.

www.specialtylightingindustries.com
 1306 Doris Avenue, Ocean, NJ 07712 USA
 800.462.7812 732.517.0800 FAX:732.517.0971
 02/19