

Single lamp, solid state light engine recessed floor washer. Used for low level lighting of steps and paths and wayfinding in residential, institutional, commercial and theater applications.

SPECIFICATIONS

HOUSING

- Aluminum trim. Precision die formed back box with integral screed edge for sheetrock or flange for use in all other materials.

MOUNTING

- Recessed in architectural wall

ELECTRICAL

- Backbox with integral junction box suitable for through wiring

LAMP

- 5W LED supplied with fixture

SOCKET

- Sealed and potted integral to trim

LENS

- Satin acrylic lens. Optional color lenses available


TRIM

- Flanged die-cast aluminum snap-in trapezoidal louvered aperture

FINISH

- Aperture trim available in black, white or aluminum as standard
- Additional colors and RAL palette available
- Consult factory for custom finishes

LABELS

-  , US tested to UL standards 1598, Wet location

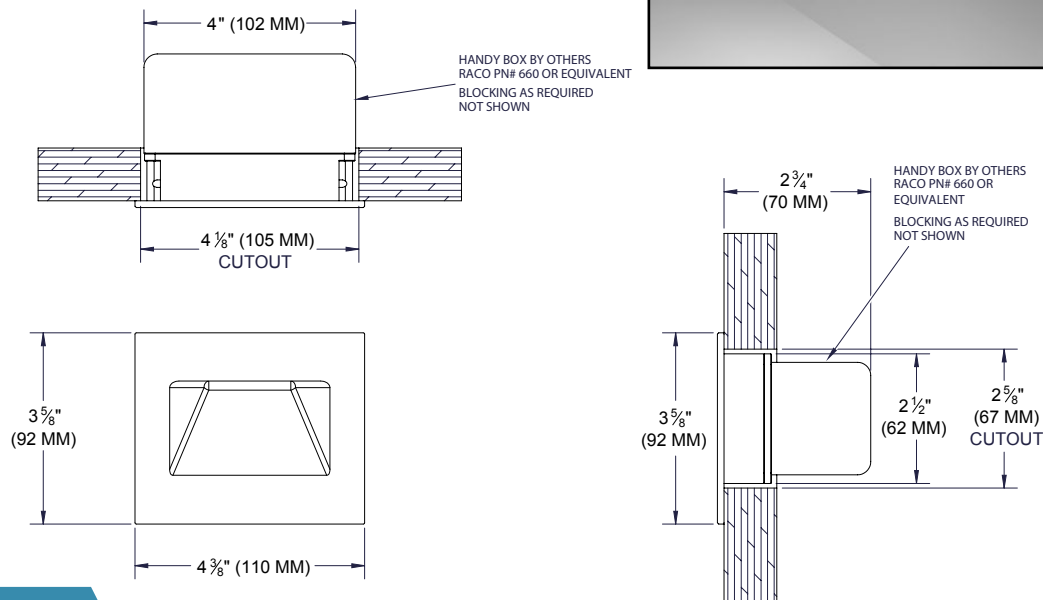
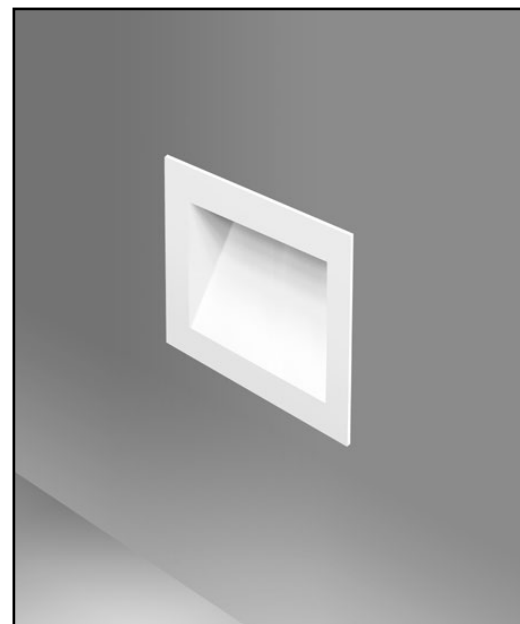
JOB: _____

SPECIFIER: _____

TYPE: _____

QUANTITY: _____

SIGNATURE: _____



ORDERING INFORMATION

2122-LED-FH	SOURCE	DRIVER	TRIM FINISH	APERTURE LENS
				79A
Flanged Housing 9= 90+CRI 27 = 2700K 30 = 3000K 35 = 3500K 40 = 4000K	5W = 5W 200lm	C1 =0-10V dimming, 1%, 120-277v C2 =TRIAC/ELV 2-wire, 1% 120v (Lead/Trail Edge) *Remote mounted drivers	P14 = White BLK =Black PXX = SLI Color XXXX = RAL # CST = Custom	79A = Veiling Acrylic