

Single lamp, solid state light engine recessed floor washer. Used for low level lighting of steps and paths and wayfinding in residential, institutional, commercial and theater applications. May be used indoors or out.

SPECIFICATIONS

HOUSING

- Aluminum trim. Precision die formed back box with integral screed edge for sheetrock or flange for use in all other materials.

MOUNTING

- Recessed in architectural wall

ELECTRICAL

- Backbox with integral junction box suitable for through wiring
- Triac dimming available- line voltage

LAMP

- 4W LED supplied with fixture

SOCKET

- Sealed and potted integral to trim

LENS

- Satin acrylic lens. Optional color lenses available


TRIM

- Flangeless or flanged die-cast aluminum snap-in trapezoidal louvered aperture

FINISH

- Aperture trim available in black, white or aluminum as standard
- Additional colors and RAL palette available
- Consult factory for custom finishes

LABELS

-  , US tested to UL standards 1598, Wet location

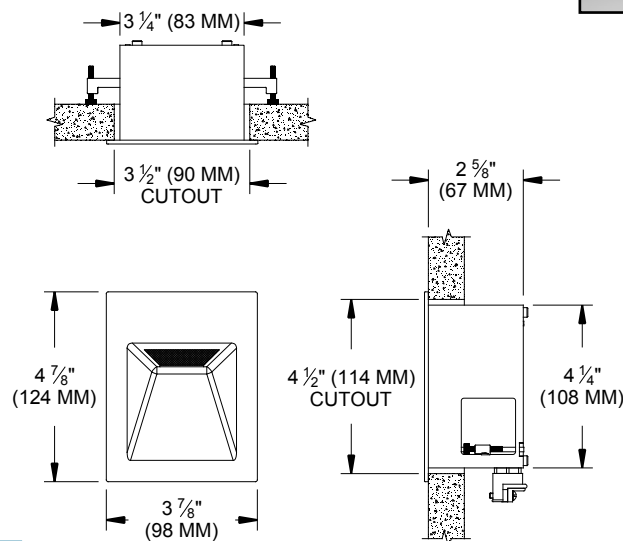
JOB: _____

SPECIFIER: _____

TYPE: _____

QUANTITY: _____

SIGNATURE: _____



FLANGED HOUSING

ORDERING INFORMATION

2101-LED-FH	SOURCE	VOLTAGE	TRIM FINISH	APERTURE LENS
		120v		79A
Flanged Housing 9= 90+CRI 27 = 2700K 30 = 3000K 35 = 3500K 40 = 4000K	4W = 4W 4WDM = 4W (Triac Dim)	120v	P14 = White BLK=Black PXX = SLI Color XXXX = RAL # CST = Custom	79A = Veiling Acrylic



Patent Pending.
These specifications subject to change without notice.

www.specialtylightingindustries.com
1306 Doris Avenue, Ocean, NJ 07712 USA
800.462.7812 732.517.0800 FAX:732.517.0971