

Single lamp, 10 degree adjustable in-ground uplight with nominal 4" square trim and optional glass diffuser. Uplighting for floors typically found in residential, commercial and retail applications. Suitable for new construction.

SPECIFICATIONS

HOUSING

- Precision die-formed heavy gauge aluminum with machined trim

MOUNTING

- Recessed in floor

ELECTRICAL

- Remote transformer required- sold separately

LAMP

- MR-16, supplied by others

SOCKET

- G4/G6 ceramic socket with high temperature, teflon coated lead wires

LENS

- Clear pyrex safety lens
- Optional borosilicate lenses available for aperture


TRIM

- CNC machined aluminum flat trim

FINISH

- Black powder paint housing
- Aperture trim available in black and white as standard
- Additional standard colors, RAL palette, custom finishes available

LABELS

-  , US tested to UL standards 1598, Damp location

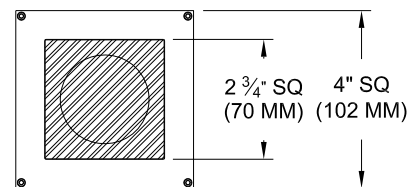
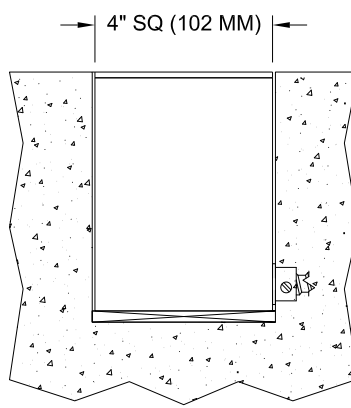
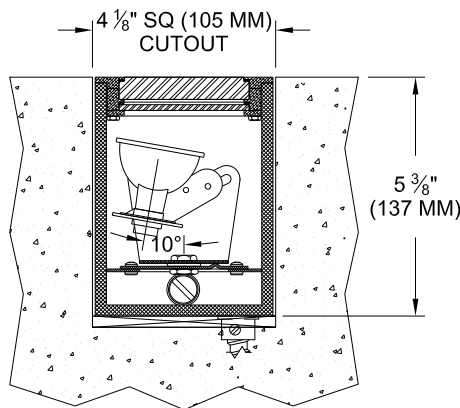
JOB: _____

SPECIFIER: _____

TYPE: _____

QUANTITY: _____

SIGNATURE: _____



ORDERING INFORMATION

MODEL	TRANSFORMER	TRIM FINISH	OPTICAL LENS	APERTURE LENS
2004-MR16-IH				
In-Ground (4") Housing	RX =Remote / 120v / 277v	P14 = White BLK = Black PXX = SLI Color XXXX = RAL# CST = Custom	82A = Frosted Supertex 91A =Solite 92A = Supertex	CP = Clear Pyrex SP = Frosted Pyrex



Patent Pending.
These specifications subject to change without notice.

www.specialtylightingindustries.com
1306 Doris Avenue, Ocean, NJ 07712 USA
800.462.7812 732.517.0800 FAX:732.517.0971