

Single lamp, 10 degree adjustable in-ground uplight with nominal 4" square trim and optional glass diffuser. Uplighting for floors typically found in residential, commercial and retail applications. Suitable for new construction.

## SPECIFICATIONS

### HOUSING

- Precision die-formed heavy gauge aluminum with machined trim

### MOUNTING

- Recessed in floor

### ELECTRICAL

- Remote transformer required- sold separately

### LAMP

- MR-16, 37w max., supplied by others

### SOCKET

- G4/G6 ceramic socket with high temperature, teflon coated lead wires

### LENS

- Clear pyrex safety lens
- Optional borosilicate lenses available for aperture


### TRIM

- CNC machined aluminum trim with bezel

### FINISH

- Black powder paint housing
- Aperture trim available in black and white as standard
- Additional standard colors, RAL palette, custom finishes available

### LABELS

-  , US tested to UL standards 1598, Damp location

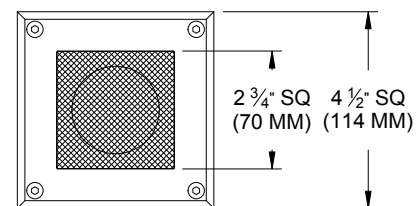
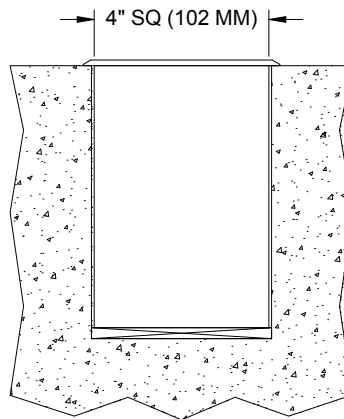
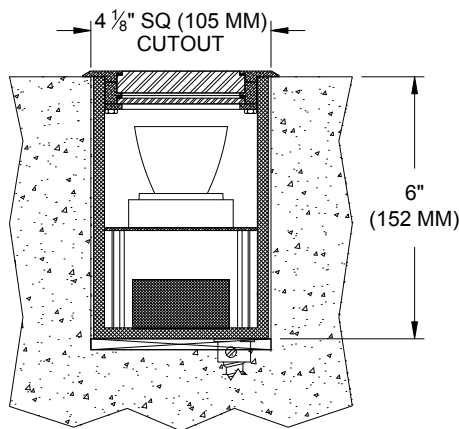
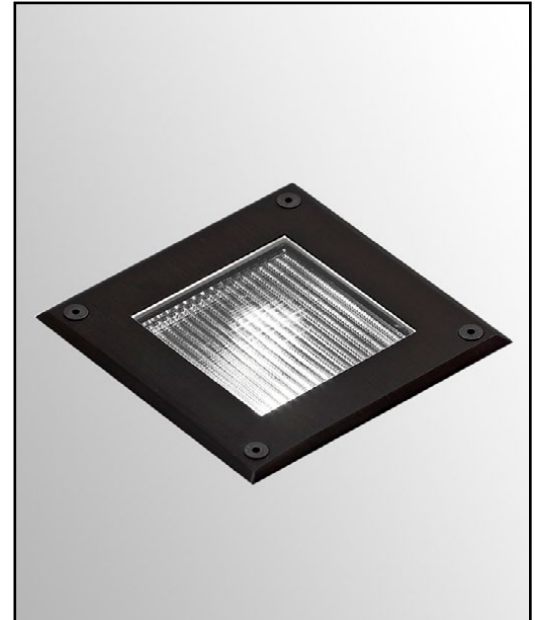
JOB: \_\_\_\_\_

SPECIFIER: \_\_\_\_\_

TYPE: \_\_\_\_\_

QUANTITY: \_\_\_\_\_

SIGNATURE: \_\_\_\_\_



## ORDERING INFORMATION

MODEL	TRANSFORMER	LAMP	TRIM FINISH	OPTICAL LENS	APERTURE LENS
2003-MR16-IH					
In-Ground Housing	RX=Remote / 120v / 277v	20MR = 12v, 20W MR16 37MR = 12v, 37W MR16	P14 = White BLK = Black PXX = SLI Color XXXX = RAL# CST = Custom	82A = Frosted Supertex 91A=Solite 92A = Supertex	CP= Clear Pyrex SP = Frosted Pyrex