

Single lamp, in-ground light with nominal 4" square trim and optional glass diffuser. Uplighting for floors typically found in residential, commercial and retail applications. Suitable for new construction.

## SPECIFICATIONS

### HOUSING

- Precision die-formed heavy gauge aluminum with machined trim

### MOUNTING

- Recessed in floor

### ELECTRICAL

- Integral dimmable electronic driver with internal short circuit protection
- 120v-277v primary, compatible with 0-10v dimmers
- Also available for 120v phase control

### LAMP

- Citizen LED supplied with fixture
- Available in 2700 thru 4000K color temperature and 90+ CRI

### SOCKET

- Usocket™** allows easy field replacement of light engine

### LENS

- Clear pyrex safety lens
- Optional borosilicate lenses available for lampholder and aperture


### TRIM

- CNC machined aluminum trim with bezel

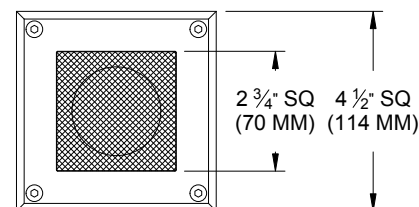
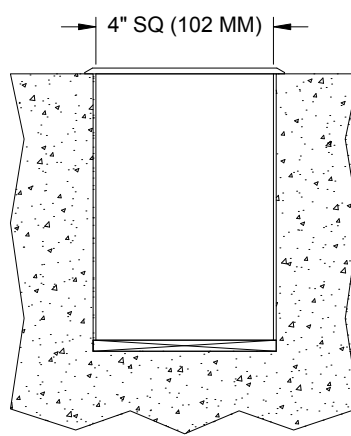
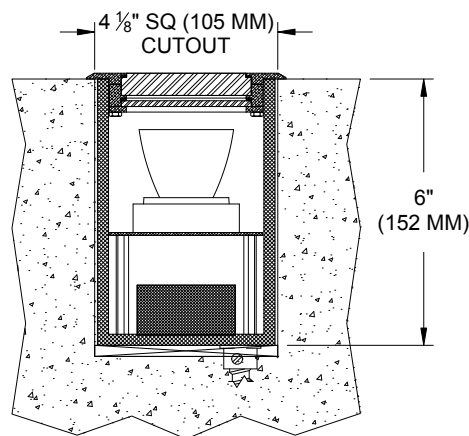
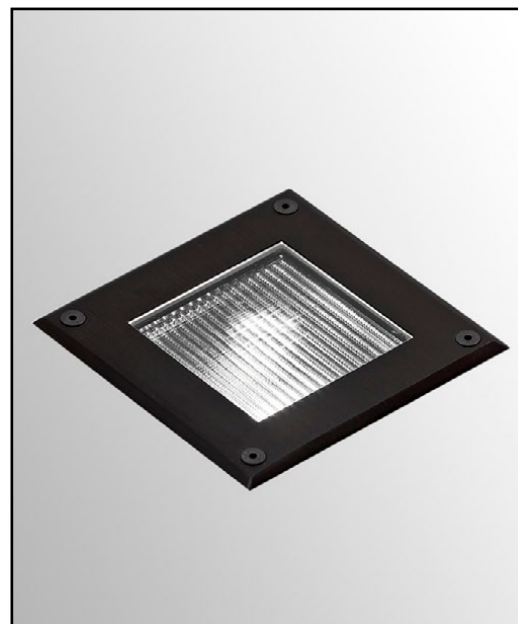
### FINISH

- Black powder paint housing
- Aperture trim available in black and white as standard
- Additional standard colors, RAL palette, custom finishes available

### LABELS

-  , US tested to UL standards 1598, Damp location

JOB: \_\_\_\_\_  
 SPECIFIER: \_\_\_\_\_  
 TYPE: \_\_\_\_\_  
 QUANTITY: \_\_\_\_\_  
 SIGNATURE: \_\_\_\_\_



## ORDERING INFORMATION

2003-IH-LED	SOURCE / DRIVER	BEAMSPREAD	TRIM FINISH	OPTICAL LENS	APERTURE LENS
	/				
In-Ground Housing <b>9</b> = 90+CRI <b>27</b> = 2700K <b>30</b> = 3000K <b>35</b> = 3500K <b>40</b> = 4000K AD= Ambient Dim *CCT Max 3000K-1900K	<b>CZ14</b> =120-277v, 14W 1100lm <b>AD14</b> =350ma, 14.5W 1000lm C1 =0-10V dimming, 1%, 120-277v C2 =TRIAC/ELV 2-wire, 3% 120v (Lead/Trail Edge)	<b>15</b> =15 Degrees <b>24</b> =24 Degrees <b>38</b> =38 Degrees <b>60</b> =60 Degrees	<b>P14</b> = White <b>BLK</b> =Black <b>MXX</b> = Metal Color <b>XXXX</b> = RAL # <b>CST</b> = Custom	<b>82A</b> = Frosted Supertex <b>91A</b> = Solite <b>92A</b> = Supertex	<b>CP</b> = Clear Pyrex <b>SP</b> = Frosted Pyrex