

Single lamp, 10 degree adjustable in-ground light with nominal 4" round trim and optional glass diffuser. Uplighting for floors typically found in residential, commercial and retail applications. Suitable for new construction.

## SPECIFICATIONS

### HOUSING

- Precision die-formed heavy gauge aluminum with machined trim

### MOUNTING

- Recessed in floor

### ELECTRICAL

- Remote transformer required- sold separately

### LAMP

- MR-16, supplied by others

### SOCKET

- G4/G6 ceramic socket with high temperature, teflon coated lead wires

### LENS

- Clear pyrex safety lens
- Optional borosilicate lenses available for aperture


### TRIM

- CNC machined aluminum trim

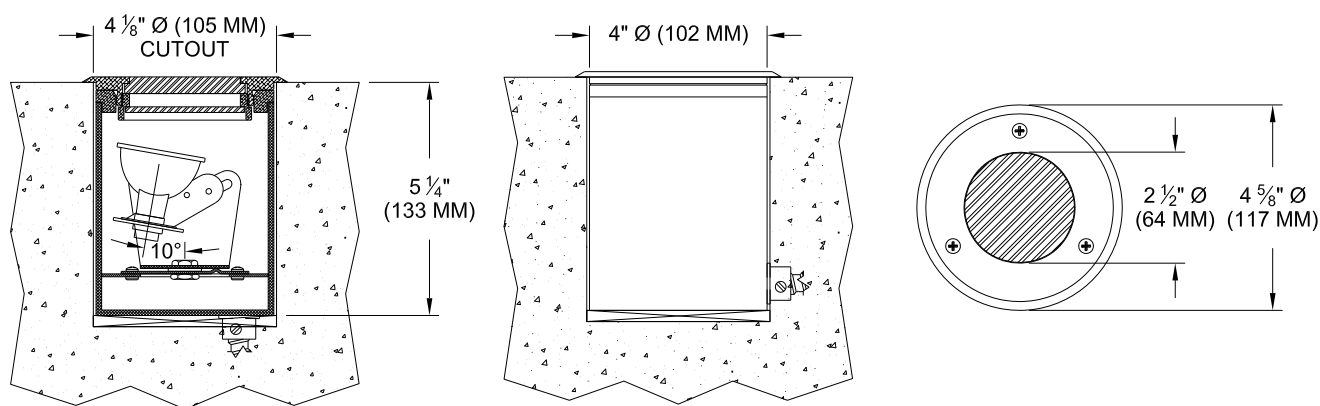
### FINISH

- Black powder paint housing
- Aperture trim available in black and white as standard
- Additional standard colors, RAL palette, custom finishes available

### LABELS

-  , US tested to UL standards 1598, Wet location

JOB: \_\_\_\_\_  
 SPECIFIER: \_\_\_\_\_  
 TYPE: \_\_\_\_\_  
 QUANTITY: \_\_\_\_\_  
 SIGNATURE: \_\_\_\_\_



## ORDERING INFORMATION

MODEL	TRANSFORMER	TRIM FINISH	OPTICAL LENS	APERTURE LENS
<b>2002-MR16-IH</b>				
In-Ground (4") Housing	<b>RX</b> =Remote / 120v / 277v	<b>P14</b> = White <b>BLK</b> = Black <b>PXX</b> = SLI Color <b>XXXX</b> = RAL# <b>CST</b> = Custom	<b>82A</b> = Frosted Supertex <b>91A</b> =Solite <b>92A</b> = Supertex	<b>CP</b> = Clear Pyrex <b>SP</b> = Frosted Pyrex