

Single lamp, in-ground light with nominal 4" round trim and optional glass diffuser. Uplighting for floors typically found in residential, commercial and retail applications. Suitable for new construction.

SPECIFICATIONS

HOUSING

- Precision die-formed heavy gauge aluminum with machined trim

MOUNTING

- Recessed in floor

ELECTRICAL

- Integral dimmable electronic driver with internal short circuit protection
- 120v-277v primary, compatible with 0-10v dimmers
- Also available for 120v phase control

LAMP

- Citizen or AmbientDim™ LED supplied with fixture
- Citizen available in 2700 thru 4000K color temperature and 90+ CRI

SOCKET

- Usocket™** allows easy field replacement of light engine

LENS

- Clear pyrex safety lens
- Optional borosilicate lenses available for aperture


TRIM

- CNC machined aluminum trim

FINISH

- Black powder paint housing
- Aperture trim available in black and white as standard
- Additional standard colors, RAL palette, custom finishes available

LABELS

-  , US tested to UL standards 1598, Damp location

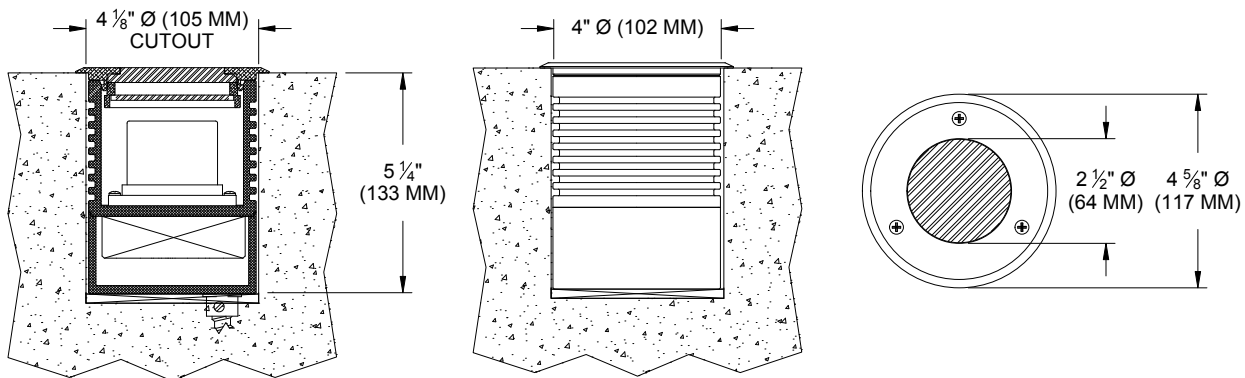
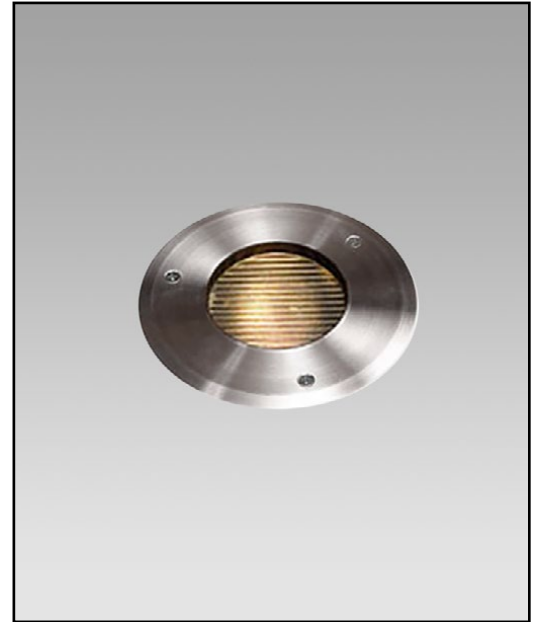
JOB: _____

SPECIFIER: _____

TYPE: _____

QUANTITY: _____

SIGNATURE: _____



ORDERING INFORMATION

2002-IH-LED	SOURCE / DRIVER	BEAMSPREAD	TRIM FINISH	OPTICAL LENS	APERTURE LENS
	/				
9 = 90+CRI 27 =2700K 30 =3000K 35 =3500K 40 =4000K AD = Ambient Dim *CCT Max 3000K-1900K	CZ14 =120-277v, 14W 1100lm AD14 =350ma, 14.5W 1000lm S1 =0-10V dimming, 1%, 120-277v T1 =TRIAC/ELV 2-wire, 3% 120v (Lead/Trail Edge)	15 =15 Degrees 24 =24 Degrees 38 =38 Degrees 60 =60 Degrees	P14 = White BLK =Black MX = Metal Color XXXX = RAL # CST = Custom	82A = Frosted Supertex 91A = Solite 92A = Supertex	CP = Clear Pyrex SP = Frosted Pyrex



Patent Pending.
These specifications subject to change without notice.

www.specialtylightingindustries.com
1306 Doris Avenue, Ocean, NJ 07712 USA
800.462.7812 732.517.0800 FAX:732.517.0971