

Single lamp, 38 degree adjustable in-ground light with nominal 6" round trim and optional glass diffuser. Uplighting for floors typically found in residential, commercial and retail applications. Suitable for new construction.

## SPECIFICATIONS

### HOUSING

- Precision die-formed heavy gauge aluminum with machined trim

### MOUNTING

- Recessed in floor

### ELECTRICAL

- Remote transformer required- sold separately

### LAMP

- MR-16, 37w max., supplied by others

### SOCKET

- G4/G6 ceramic socket with high temperature, teflon coated lead wires

### LENS

- Clear pyrex safety lens
- Optional borosilicate lenses available for aperture


### TRIM

- CNC machined aluminum trim

### FINISH

- Black powder paint housing
- Aperture trim available in black and white as standard
- Additional standard colors, RAL palette, custom finishes available

### LABELS

-  , US tested to UL standards 1598, Wet location

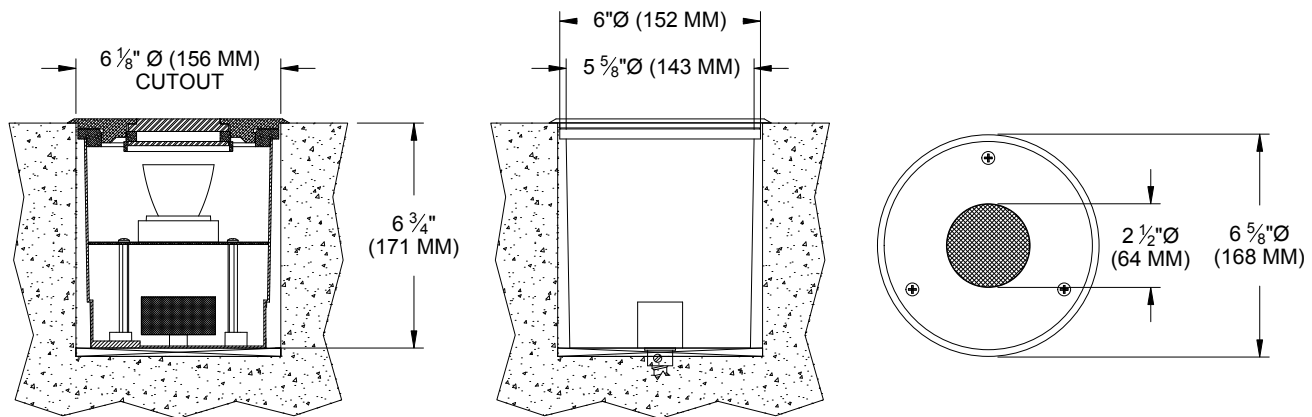
**JOB:** \_\_\_\_\_

**SPECIFIER:** \_\_\_\_\_

**TYPE:** \_\_\_\_\_

**QUANTITY:** \_\_\_\_\_

**SIGNATURE:** \_\_\_\_\_



## ORDERING INFORMATION

MODEL	TRANSFORMER	LAMP	TRIM FINISH	OPTICAL LENS	APERTURE LENS
<b>2001-MR16-IH</b>					
In-Ground Housing	<b>RX</b> =Remote / 120v / 277v	<b>20MR</b> = 12v, 20W MR16 <b>37MR</b> = 12v, 37W MR16	<b>P14</b> = White <b>BLK</b> = Black <b>PXX</b> = SLI Color <b>XXXX</b> = RAL# <b>CST</b> = Custom	<b>82A</b> = Frosted Supertex <b>91A</b> =Solite <b>92A</b> = Supertex	<b>CP</b> = Clear Pyrex <b>SP</b> = Frosted Pyrex



Patent Pending.  
These specifications subject to change without notice.

**www.specialtylightingindustries.com**  
1306 Doris Avenue, Ocean, NJ 07712 USA  
800.462.7812 732.517.0800 FAX:732.517.0971