

T-Bar mounted adjustable gimbal multi-led fixture. Lamp heads are gimbal adjustable along two axis.

SPECIFICATIONS

HOUSING

- Die-cast aluminum

MOUNTING

- T-Bar

ELECTRICAL

- Integral dimmable electronic driver with internal short circuit protection

LAMP

- Citizen LEDs supplied with fixture
- Available in 2700 thru 4000K color temperature and 90+ CRI

SOCKET

- Precision aluminum yoke with CNC machined lampholder assembly
- Usocket™** allows easy field replacement of light engine


LENS

- Multiple beamspreads. Optional borosilicate lenses available for aperture.

FINISH

- Available in black and white as standard
- Additional colors and RAL palette available
- Consult factory for custom finishes

LABELS

-  , US tested to UL standards 1598, Damp location

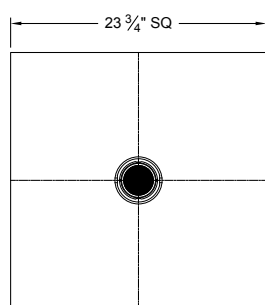
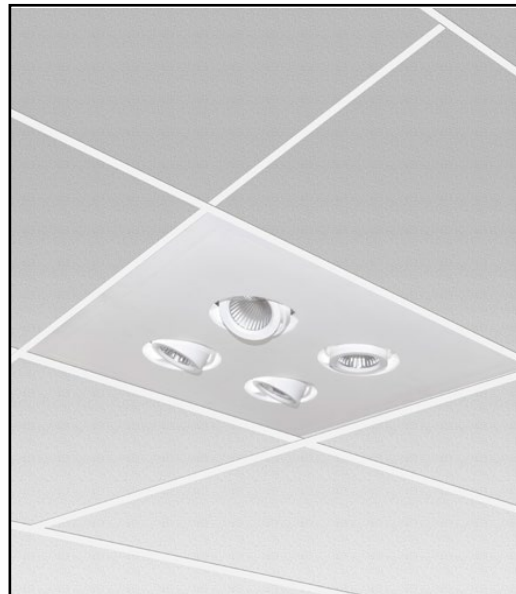
JOB: _____

SPECIFIER: _____

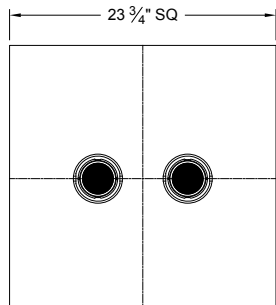
TYPE: _____

QUANTITY: _____

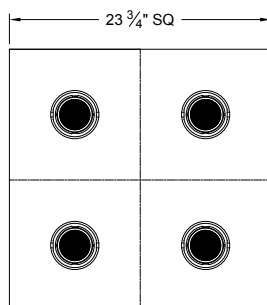
SIGNATURE: _____



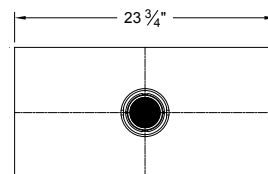
Option A1 - 1 Lamp Square*



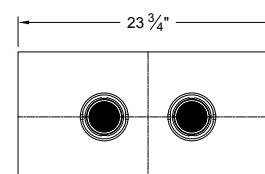
Option B2 - 2 Lamp Square*



Option C4 - 4 Lamp Square*



Option D1 - 1 Lamp Rectangle*

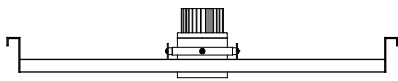


Option E2 - 2 Lamp Rectangle*

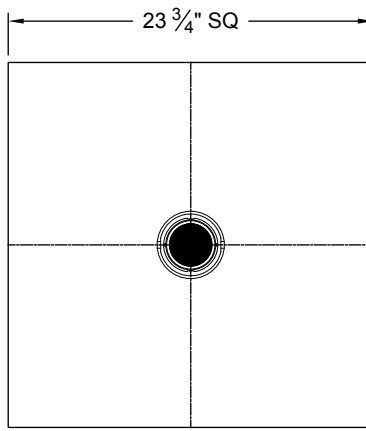
*See Page 2 for more detailed drawings

ORDERING INFORMATION

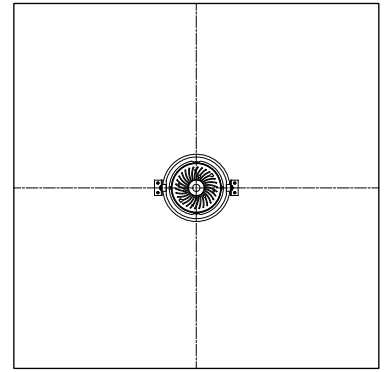
1602-LEDZ-SH_	COLOR TEMP	SOURCE / DRIVER	BEAMSPREAD	HOUSING / HEAD FINISH
		/		/
Surface Housing A1 = 1 Lamp Square B2 = 2 Lamp Square C4 = 4 Lamp Square D1 = 1 Lamp Rectangle E2 = 2 Lamp Rectangle	9 = 90+CRI 27 = 2700K 30 = 3000K 35 = 3500K 40 = 4000K	38CZ12 = 120v-277v, 12W 1750lm 38CZ16 = 120v-277v, 16W 2400lm 38CZ24 = 120v-277v, 24W 3700lm S1 = 0-10V dimming, 1%, 120-277v T1 = TRIAC/ELV 2-wire, 3% 120v (Lead/Trail Edge) E1 = EldoLED 0-10V Logarithmic Dim, 0.1%, 120-277v E2 = EldoLED DALI, 0.1%, 120-277v E3 = EldoLED 0-10V Linear Dim, 0.1%, 120-277v L2 = Ltrn Hi-lume 1% 2-wr LED driver (120v fwd phase) L3 = Lutron Hi-lume 1% 3-wire/EcoSystem, 120-277v LTB = Lutron Hi-lume 1% EcoSys LED driver, 1%, 120-277v, Soft-on, Fade-to-Black	15 = 15 Degrees 24 = 24 Degrees 38 = 38 Degrees 60 = 60 Degrees	P14 = White BLK = Black ANA = Clear Aluminum CST = Custom



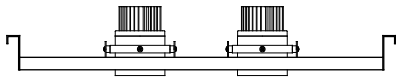
Option A1 - 1 Lamp Square



REFLECTED PLAN VIEW

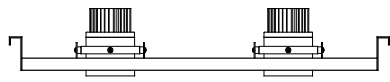
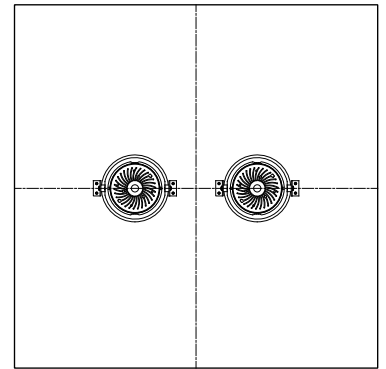
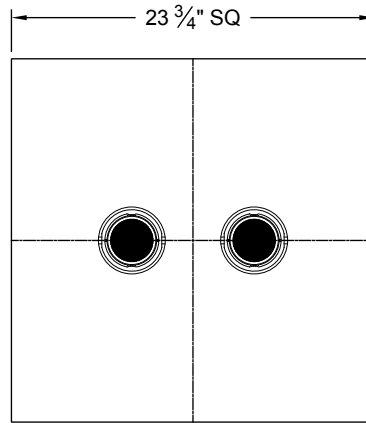


TOP VIEW



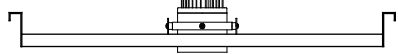
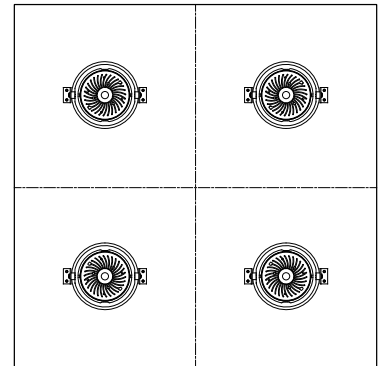
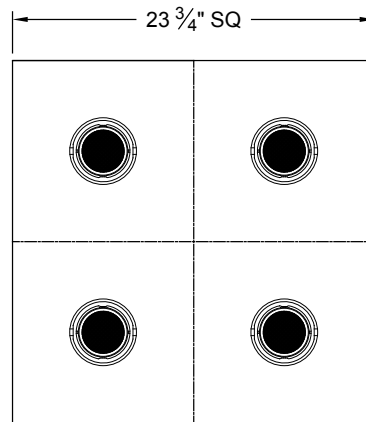
Option B2 - 2 Lamp Square

8" O.C.
(TYP.)

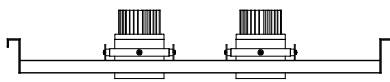
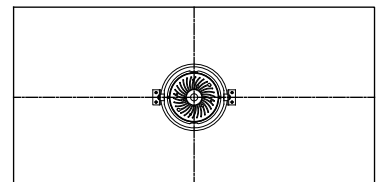
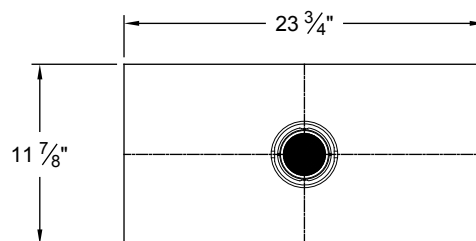


Option C4 - 4 Lamp Square

12" O.C.
(TYP.)



Option D1 - 1 Lamp Rectangle



Option E2 - 2 Lamp Rectangle

8" O.C.
(TYP.)

