

Single lamp, metal halide recessed wall washer, nominal 4" (100mm) conical aperture. Wallwashing in low to medium ceiling heights typically found in residential, commercial and retail applications.

JOB: _____
SPECIFIER: _____
TYPE: _____
QUANTITY: _____
SIGNATURE: _____

SPECIFICATIONS

HOUSING

- Precision die-formed heavy gauge aluminum with machined adjustable ceiling collar

MOUNTING

- Recessed in architectural ceiling

ELECTRICAL

- Integral electronic ballast
- 120v primary lead, (220v, 240v, 277v available)
- External thermoprotector

LAMP

- MR-16, 20w or 39w supplied by others

SOCKET

- Precision die-formed aluminum socket plate
- GX10 ceramic socket with high temperature, silicon coated lead wires

LENS

- Frosted supertex borosilicate spread lens, hinged for relamping


TRIM

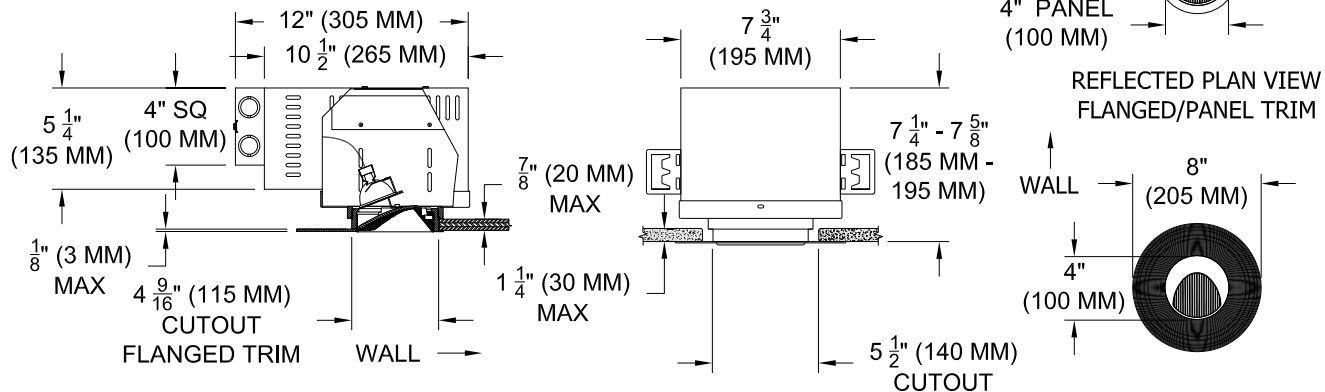
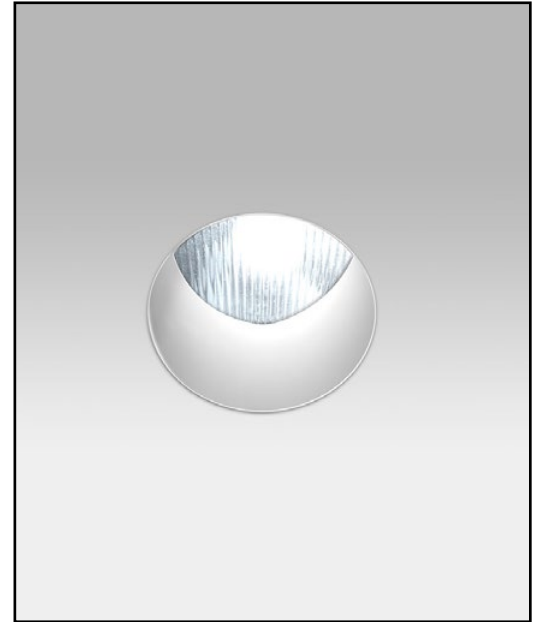
- Diecast aperture plate with flanged or flangless ceiling collar
- ST trim for wet location

FINISH

- Black powder paint housing
- Aperture trim available in black and white as standard
- Solid wood, additional colors, RAL palette, custom finishes available

LABELS

-  US tested to UL standards 1598, Damp location, Wet with ST trim,



ORDERING INFORMATION

MODEL	TRIM	BALLAST	LAMP LENS	TRIM FINISH	APERTURE LENS
1250-MR16MH-UH					
Metal Halide Universal Housing	FT=Flanged Trim PT=Panel Trim** ST=Shower Trim* ZT=Zero Trim **WXX Only *Aperture lens required	20W / 120v 39W 220v 240v 277v UNV	98L = UV	P14 = White BLK=Black PXX = SLI Color WXX = Wood XXXX = RAL # CST = Custom	82A= Frosted Supertex



Patent Pending.
 These specifications subject to change without notice.

www.specialtylightingindustries.com
 1306 Doris Avenue, Ocean, NJ 07712 USA
 800.462.7812 732.517.0800 FAX:732.517.0971