

Single lamp, solid state light engine, recessed wall washer, nominal 4" (100mm) conical aperture. Wallwashing in low to medium ceiling heights typically found in residential, commercial and retail applications. Suitable for new construction.

SPECIFICATIONS

HOUSING

- Precision die-formed heavy gauge aluminum
- ≈ Airtight construction suitable for direct contact with insulation

MOUNTING

- Recessed in architectural ceiling

ELECTRICAL

- Integral dimmable electronic driver with internal short circuit protection

LAMP

- Xicato LED supplied with fixture

SOCKET

- CNC machined lampholder assembly

LENS

- Frosted Supertex borosilicate spread lens, hinged for relamping



TRIM

- Flanged or flangeless die-cast aluminum conical shield
- ST is flanged trim fully sealed and gasketed. Aperture lens required

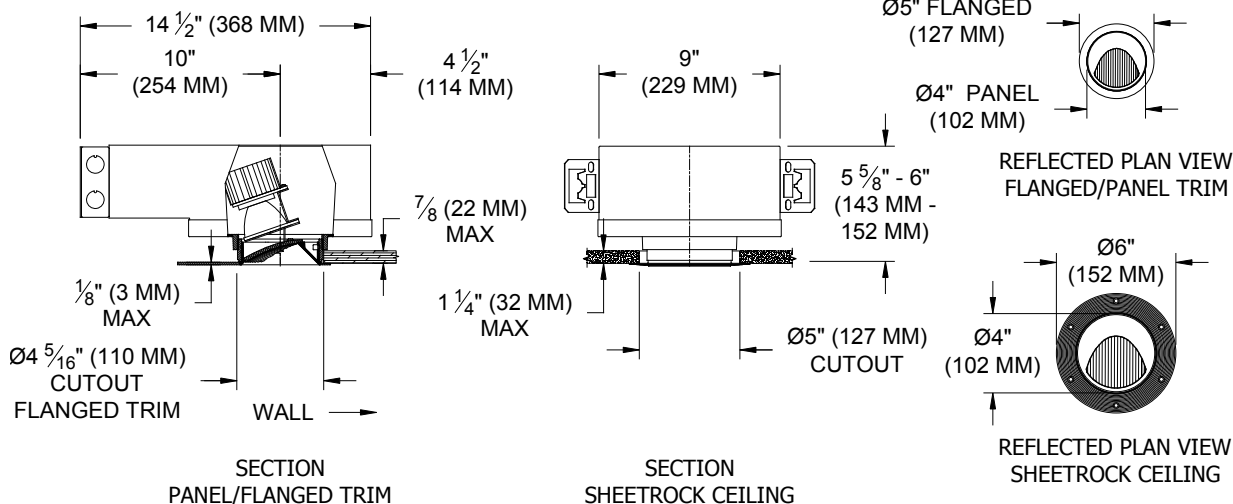
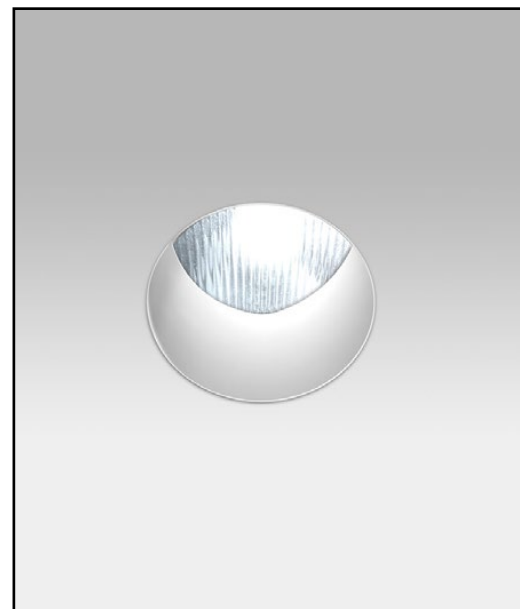
FINISH

- Black powder paint housing
- Aperture trim available in black and white as standard
- Solid wood, additional colors, RAL palette, custom finishes available

LABELS

-  _{US}, US tested to UL standards 1598, Damp location, Wet with ST trim, IC/Airtight, Chicago Plenum,  JA8 Approved

JOB: _____
 SPECIFIER: _____
 TYPE: _____
 QUANTITY: _____
 SIGNATURE: _____



ORDERING INFORMATION

Hangar bars sold separately

1250-LEDX-AUH	TRIM	SOURCE / DRIVER	TRIM FINISH	APERTURE LENS	ACCESSORIES
		/		82A	
Airtight Universal Housing 8 = 80CRI • 27 = 2700K 9 = 98CRI • 30 = 3000K 35 = 3500K 40 = 4000K	FT=Flanged Trim PT=Panel Trim** ST=Shower Trim* ZT=Zero Trim **WXX only *Aperture lens required	XT8 = 120v-277v, 8W 800lm XT12 = 120v-277v, 12W 1055lm XT17 = 120v-277v, 17W 1400lm XT26** = 120v-277v, 26W 2000lm C1 = 0-10V dimming, 1%, 120-277v C2 = TRIAC/ELV 2-wire, 1% 120v (Lead/Trail Edge) E1 = EldoLED 0-10V Logarithmic Dim, 0.1%, 120-277v E2 = EldoLED DALI, 0.1%, 120-277v E3 = EldoLED 0-10V Linear Dim, 0.1%, 120-277v L2 = Lutron Hi-lume 1% 2-wire LED driver (120v forward phase) LTB = Lutron Hi-lume 1% EcoSys LED driver, 1%, 120-277v, Soft-on, Fade-to-Black	P14 = White BLK=Black PXX = SLI Color WXX = Wood XXXX = RAL # CST = Custom	82A= Frosted Supertex	CP = Chicago Plenum