

Single lamp, low-voltage halogen, recessed wall washer with nominal 4" square aperture. Wallwashing in low to high ceiling heights typically found in residential, commercial and retail applications. Suitable for new or existing construction in sheetrock ceilings.

SPECIFICATIONS

HOUSING

- Precision die-formed heavy gauge aluminum

MOUNTING

- Install from below in sheetrock ceiling

ELECTRICAL

- Integral dimmable electronic or toroidal magnetic transformer
- 120v primary lead, (220v, 240v, 277v available), 11.75v secondary with overload protection

LAMP

- MR-16 NFL(Narrow Flood), 50w max. supplied by others

SOCKET

- Precision die-formed aluminum socket plate
- G4/G6 ceramic socket with high temperature, teflon coated lead wires

LENS

- Supertex borosilicate spread lens, hinged for relamping
- Optional filters available for lampholder

TRIM

- Flanged or flangeless, one piece die-cast aluminum pyramidal shield
- ST trim fully sealed and gasketed

FINISH

- Black powder paint housing
- Aperture trim available in black and white as standard
- Solid wood, additional colors, RAL palette, custom finishes available

LABELS

-  , US tested to UL standards 1598, Damp location,



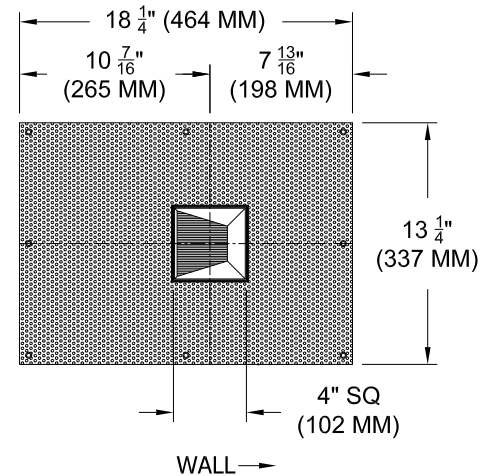
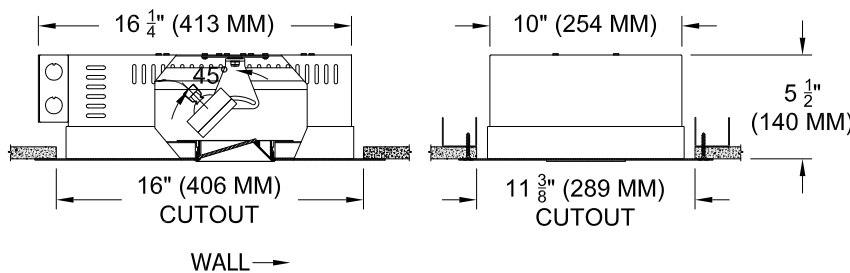
JOB: _____

SPECIFIER: _____

TYPE: _____

QUANTITY: _____

SIGNATURE: _____



ORDERING INFORMATION

MODEL	TRIM	TRANSFORMER	LENS HOLDER	LAMP LENS	TRIM FINISH	APERTURE LENS
1249-MR16-SPH	ZT	/	FL			82A
Shallow Plaster Housing	ZT=Zero Trim	TX=Magnetic / 120v EX=Electronic / 220v EXS=Elect. SORAA* RX=Remote / 240v 277v *Standard 120v	FL = Flat	90L = Clear-Standard 91L = Solite 92L = Supertex 93L = Frosted 97L = Black Hexcell 98L = UV	P14 = White BLK=Black PXX = SLI Color WXX = Wood XXXX = RAL # CST = Custom	82A = Frosted Supertex



Patent Pending.
These specifications subject to change without notice.

www.specialtylightingindustries.com
1306 Doris Avenue, Ocean, NJ 07712 USA
800.462.7812 732.517.0800 FAX:732.517.0971