

Dual lamp, solid state light engine, recessed wall washer with 4"x 9" (100mm x 225mm) rectilinear aperture. Wallwashing in low to medium ceiling heights typically found in residential, commercial and retail applications. Suitable for new construction.

## SPECIFICATIONS

### HOUSING

- Precision die-formed heavy gauge aluminum

### MOUNTING

- Recessed in architectural ceiling

### ELECTRICAL

- Integral dimmable electronic or torroidal magnetic transformer
- 120v primary lead, (220v, 240v, 277v available), 11.75v secondary with overload protection

### LAMP

- (2) MR-16 NFL(Narrow Flood), 50w max. supplied by others

### SOCKET

- Precision aluminum yoke with CNC machined lampholder assembly
- G4/G6 ceramic socket with high temperature, teflon coated lead wires

### LENS

- Supertex borosilicate spread lens, hinged for relamping
- Optional filters available for lampholder


### TRIM

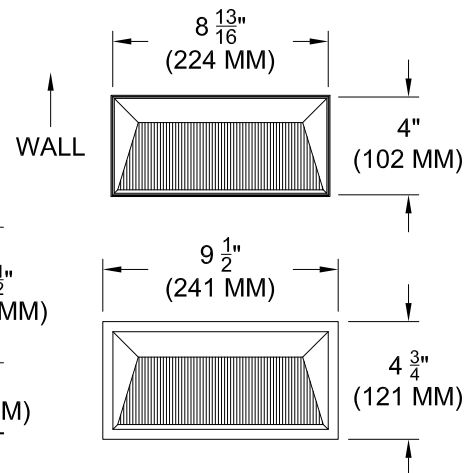
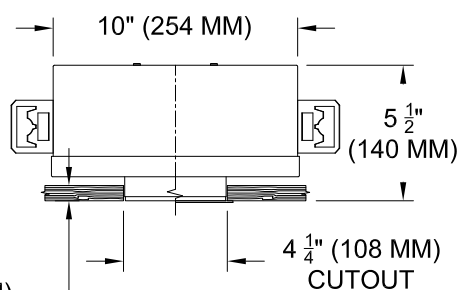
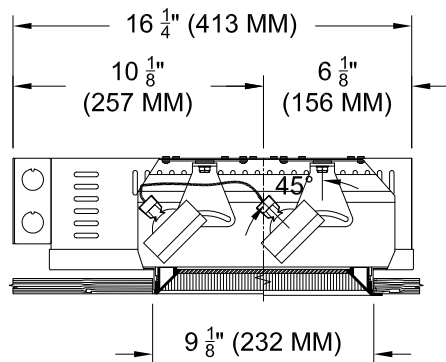
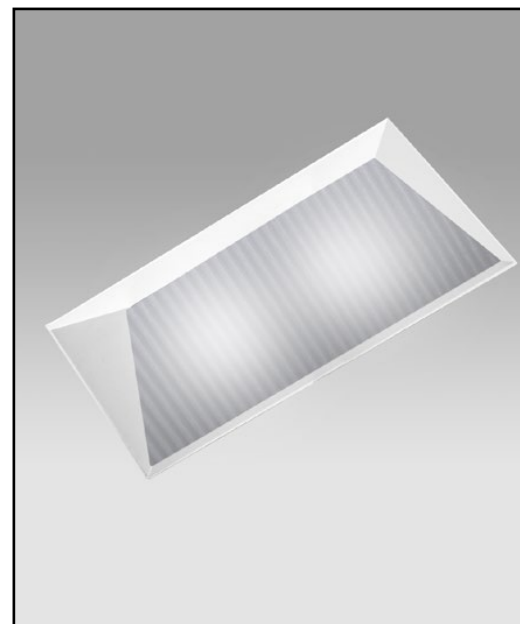
- Flanged or flangeless, one piece die-cast aluminum pyramidal shield
- ST trim fully sealed and gasketed

### FINISH

- Black powder paint housing
- Aperture trim available in black and white as standard
- Solid wood, additional colors, RAL palette, custom finishes available

### LABELS

-  , US tested to UL standards 1598, Damp location, Wet with ST trim,



1" (25 MM)  
MAX CEILING

## ORDERING INFORMATION

MODEL	TRIM	TRANSFORMER	LENS HOLDER	LAMP LENS	TRIM FINISH	APERTURE LENS
1249-2MR16-UH		/	FL			82A
Universal Housing	<b>FT</b> =Flanged Trim <b>PT</b> =Plaster Trim** <b>ST</b> =Shower Trim* <b>ZT</b> =Zero Trim ***WXX only *Aperture lens required	<b>TX</b> =Magnetic / 120v <b>EX</b> =Electronic / 220v <b>EXS</b> =Elect SORAA* <b>2EX</b> =Elect 2 Circuit / 240v <b>2EXS</b> =Elect 2 Circuit 277v SORAA* <b>RX</b> =Remote *Standard 120v	<b>FL</b> = Flat	<b>90L</b> = Clear-Standard <b>91L</b> = Solite <b>92L</b> = Supertex <b>93L</b> = Frosted <b>97L</b> = Black Hexcell <b>98L</b> = UV	<b>P14</b> = White <b>BLK</b> =Black <b>PXX</b> = SLI Color <b>WXX</b> = Wood <b>XXXX</b> = RAL # <b>CST</b> = Custom	<b>82A</b> = Frosted Supertex



Patent Pending.  
These specifications subject to change without notice.

[www.specialtylightingindustries.com](http://www.specialtylightingindustries.com)  
 1306 Doris Avenue, Ocean, NJ 07712 USA  
 800.462.7812 732.517.0800 FAX:732.517.0971