

Quad lamp, low-voltage halogen recessed double wall washer with nominal 8"x 9" rectilinear aperture and flangeless trim. Suitable for install from below applications.

TYPE: \_\_\_\_\_

JOB: \_\_\_\_\_

SPECIFIER: \_\_\_\_\_

**SPECIFICATIONS**

**HOUSING** - Precision die-formed heavy gauge aluminum with perforated flangeless trim and integrated screed edge.

**MOUNTING** - Install from below into sheetrock ceiling.

**ELECTRICAL** - Integral dimmable electronic transformer. 120v primary lead, (220v, 240v, 277v available), 11.75v secondary with overload protection. External thermoprotector. Remote magnetic transformer available.

**LAMP** - (4) MR-16 NFL, 50w max. supplied by others.

**LABELS** - UL, C-UL, Damp location

**SOCKET** - Precision die formed aluminum socket plate. G4/G6 ceramic socket with high temperature, teflon coated lead wires.

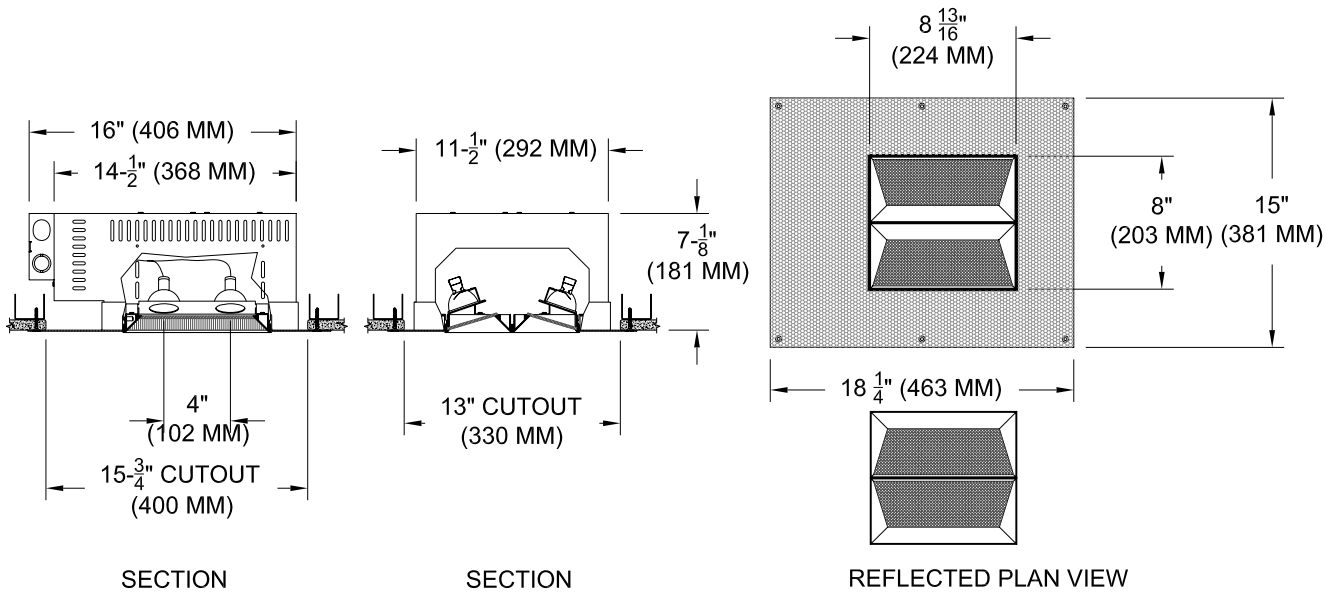
**LENS** - Supertex borosilicate spread lens, hinged for relamping.

**TRIM** - Flangeless, two piece die-cast aluminum pyramidal shield.

**FINISH** - Black powder paint housing. Aperture trim available in black and white as standard. Additional colors and RAL palette available. Consult factory for custom finishes.

**APPLICATIONS**

Wallwashing in medium to tall ceiling heights typically found in commercial and retail applications. Suitable for new or existing construction.



**ORDERING INFORMATION**

HOUSING	TRIM	TRANSFORMER	FINISH	APERTURE LENS
1240-4MR16-PH	ZT			92A
Plaster Flange Housing	ZT = Flangeless trim	EX = Electronic RX = Remote	P14 = Matte White BLK = Black PXX = SLI Color XXXX = RAL # CST = Custom	92A = Supertex



**SPECIALTY LIGHTING INDUSTRIES, INC.**

NOTE: These specifications subject to change without notice.

[www.specialtylightingindustries.com](http://www.specialtylightingindustries.com)

1306 DORIS AVENUE, OCEAN, NJ 07712 USA 800.462.7812 732.517.0800 FAX 732.517.0971 © 10/08