

Twin lamp, metal halide recessed wall washer with nominal 4"x 8" rectangular 2 cell aperture and flangeless trim. Suitable for install from below applications.

TYPE: \_\_\_\_\_  
 JOB: \_\_\_\_\_  
 \_\_\_\_\_

**SPECIFICATIONS**

**HOUSING** - Precision die-formed heavy gauge aluminum with perforated flangeless trim and integrated screed edge.

**MOUNTING** - Install from below in sheetrock ceiling.

**ELECTRICAL** - Integral electronic ballast. 120v primary lead, (220v, 240v, 277v available). External thermoprotector.

**LAMP** - (2) GE MR-16 39w max. CMH supplied by others.

**LABELS** - CSA-C,US, Damp location

**SOCKET** - Precision die-formed aluminum socket plate. GX10 ceramic socket with high temperature, silicone coated lead wires.

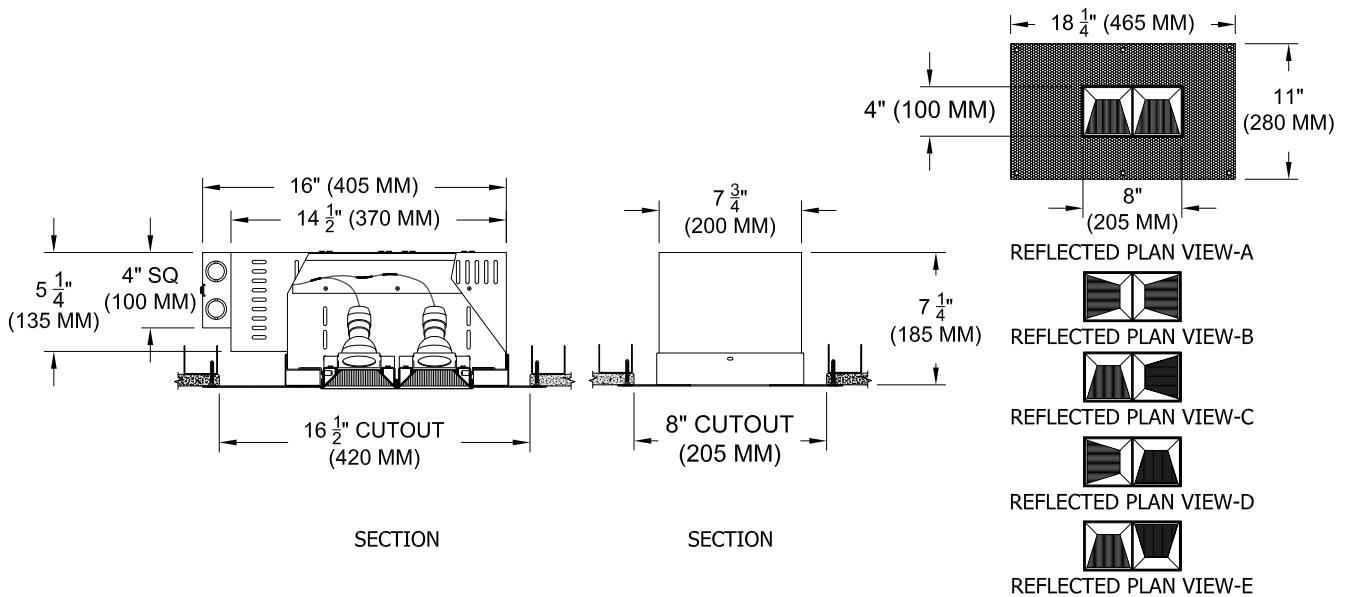
**LENS** - Supertex borosilicate spread lens, hinged for relamping.

**TRIM** - Flangeless, two piece die-cast aluminum pyramidal shield.

**FINISH** - Black powder paint housing. Aperture trim stocked in black and white. Additional colors and RAL palette available. Consult factory for custom finishes. Wood trim available.

**APPLICATIONS**

Wallwashing in medium to tall ceiling heights typically found in commercial and retail applications. Suitable for new or existing construction.



**ORDERING INFORMATION**

HOUSING	TRIM	BALLAST	FINISH	APERTURE LENS
1240WW_-2MR16MH-PH	ZT	WATTS/VOLTS		92A
Plaster Housing WWA = Double WWB = Opposite WWL = Left WWR = Right WWT = Transverse	ZT = Flangeless trim	20/120 39/120 20/220 39/220 20/240 39/240 20/277 39/277	P14 = White PXX = SLI Color WXX = Wood XXXX = RAL # CST = Custom	82A = Frosted Supertex



**SPECIALTY LIGHTING INDUSTRIES, INC.**

NOTE: These specifications subject to change without notice.

[www.specialtylightingindustries.com](http://www.specialtylightingindustries.com)

1306 DORIS AVENUE, OCEAN, NJ 07712 USA 800.462.7812 732.517.0800 FAX 732.517.0971 © 11/10