

Dual lamp, solid state light engine, recessed wall washer with 4" x 8" (100mm x 200mm) rectilinear flangeless trim. Wallwashing in medium to tall ceiling heights typically found in residential, commercial and retail applications. Suitable for new or existing construction in sheetrock ceiling.

## SPECIFICATIONS

### HOUSING

- Precision die-formed heavy gauge aluminum

### MOUNTING

- Install from below in sheetrock ceiling

### ELECTRICAL

- Integral dimmable electronic driver with internal short circuit protection

### LAMP

- (2) Citizen LEDs supplied with fixture

### SOCKET

- Precision aluminum yoke with CNC machined lampholder assembly

### LENS

- Frosted Supertex borosilicate spread lens, hinged for relamping


### TRIM

- Flangeless, two piece die-cast aluminum pyramidal shield

### FINISH

- Black powder paint housing
- Aperture trim available in black and white as standard
- Solid wood, additional colors, RAL palette, custom finishes available

### LABELS

-  , US tested to UL standards 1598, Damp location

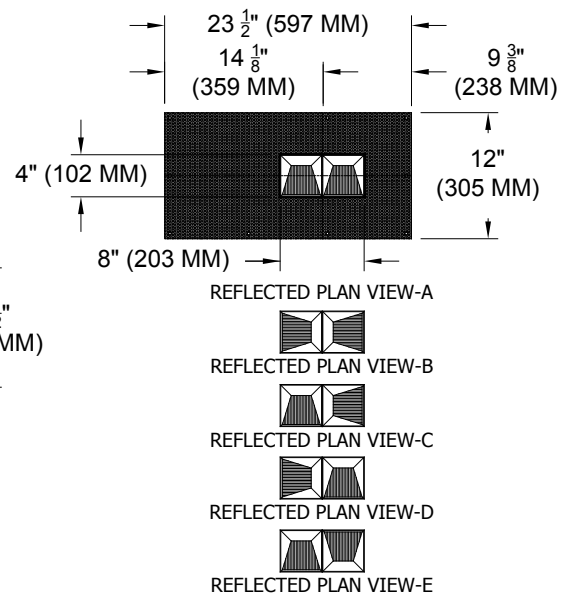
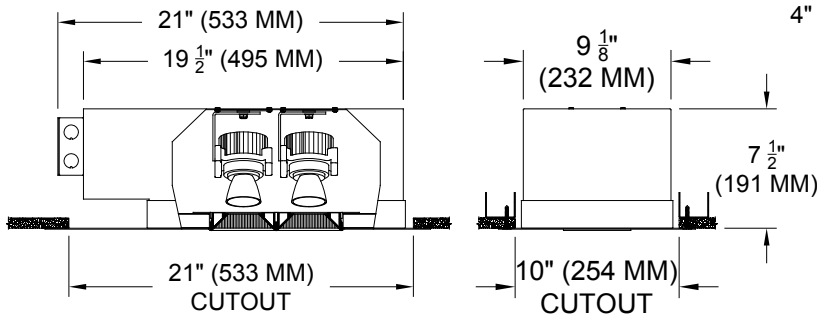
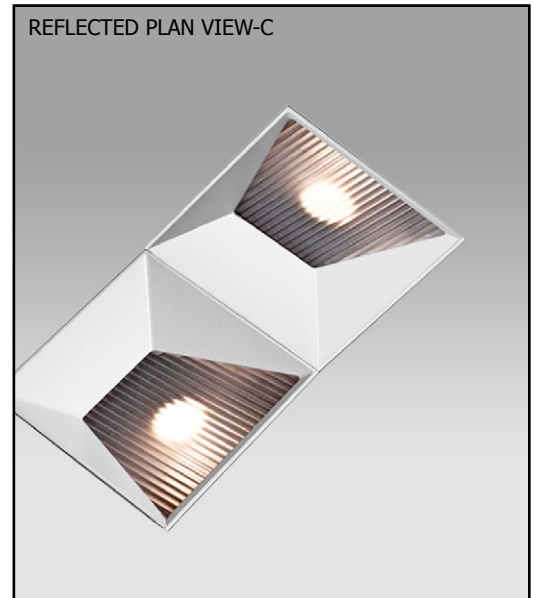
**JOB:** \_\_\_\_\_

**SPECIFIER:** \_\_\_\_\_

**TYPE:** \_\_\_\_\_

**QUANTITY:** \_\_\_\_\_

**SIGNATURE:** \_\_\_\_\_



## ORDERING INFORMATION

1240WW-2LEDZ-PH	PLAN VIEW	TRIM	SOURCE / DRIVER	TRIM FINISH	APERTURE LENS
		ZT	/		82A
Plaster Housing 9 = 90+CRI 27 = 2700K 30 = 3000K 35 = 3500K 40 = 4000K	WWA = Double WWB = Opposite WWC = Left WWD = Right WWE = Cross	ZT=Zero Trim	CZ14=120-277v, 14W 1100lm CZ20=120-277v, 20W 2265lm CZ28=120-277v, 28W 3000lm C1 =0-10V dimming, 1%, 120-277v C2 =TRIAC/ELV 2-wire, 1% 120v (Lead/Trail Edge) E1 =EldoLED 0-10V Logarithmic Dim, 0.1%, 120-277v E2 =EldoLED DALI, 0.1%, 120-277v E3 =EldoLED 0-10V Linear Dim, 0.1%, 120-277v L2 =Ltrn Hi-lume 1% 2-wr LED driver (120v fwd phase) LTB =Lutron Hi-lume 1% EcoSys LED driver, 1%, 120-277v, Soft-on, Fade-to-Black LTP =Lutron Hi-lume Premier 0.1% Fade-to-Black digital Ecosystem, 120-277v (PEQQ)	P14 = White BLK=Black PXX = SLI Color WXX = Wood XXXX = RAL # CST = Custom	82A= Frosted Supertex