

Twin lamp, low-voltage halogen recessed combination wall washer and accent light with nominal 4"x8" rectangular 2 cell aperture and flangeless trim. Suitable for installation in ceilings up to 1" thick.

TYPE: \_\_\_\_\_

JOB: \_\_\_\_\_

SPECIFIER: \_\_\_\_\_

**SPECIFICATIONS**

**HOUSING** - Precision die-formed heavy gauge aluminum with extruded ceiling collar.

**MOUNTING** - Recessed in architectural ceiling.

**ELECTRICAL** - "Integral dimmable electronic transformer. 120v primary lead, (220v, 240v, 277v available), 11.75v secondary with overload protection. External thermoprotector. Remote magnetic transformer available.

**LAMP** - (2) MR-16, 50w max. supplied by others.

**LABELS** - CSA-C,US, Damp location.

**SOCKET** - Precision die formed aluminum socket plate and one adjustable aluminum yoke and CNC machined lampholder assembly. G4/G6 ceramic socket with high temperature, teflon coated lead wires.

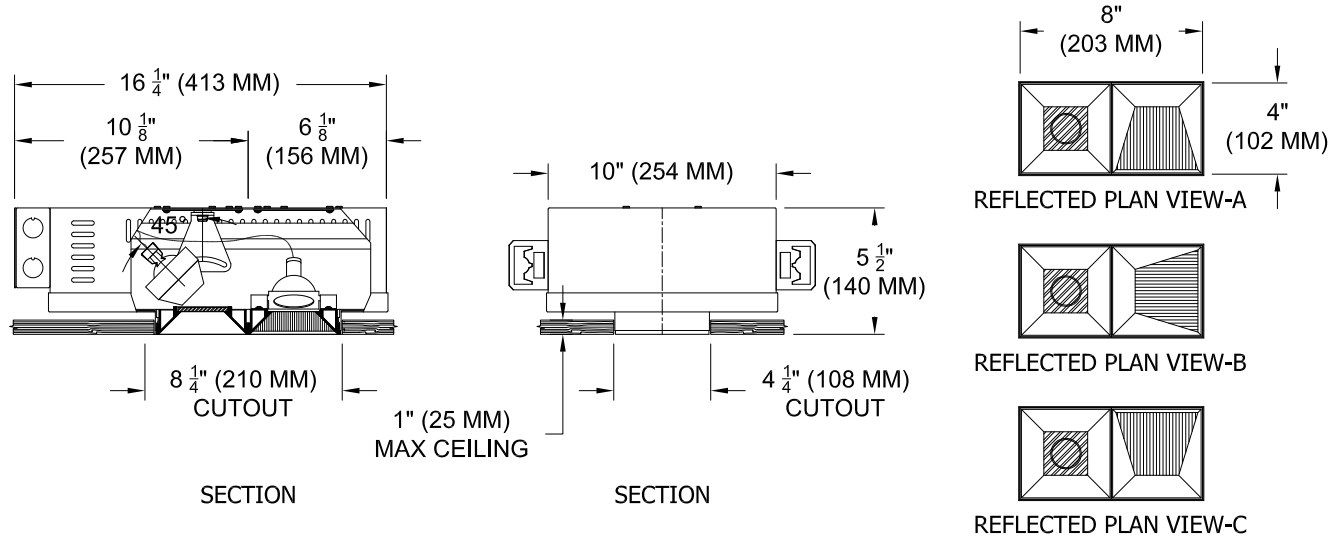
**LENS** - Supertex borosilicate spread lens, hinged for relamping. Optional lens on accent light cell.

**TRIM** - Flangeless, two piece die-cast aluminum pyramidal shield.

**FINISH** - White powder paint housing. Aperture trim available in black white or RAL colors as standard. Consult factory for custom finishes.

**APPLICATIONS**

Wallwashing and accent lighting in low to medium ceiling heights typically found in residential, commercial and retail applications.



**ORDERING INFORMATION**

HOUSING	TRIM	TRANSFORMER	LENS HOLDER	LAMP LENS	TRIM FINISH	APERTURE LENS
1240AW_-2MR16-SU	ZT					
Shallow plaster housing AWA = Side WW AWB = Right WW AWC = Left WW	ZT = Zero Trim	EX = Electronic 120 EX2=2 Cir Elec 220 RX = Remote 240 TX= Magnetic 277	CL= Conical FL = Flat	90L = Clear 91L = Solite 92L = Supertex 93L = Sandblasted 95L = Full Prismatic	P14 = Matte White BLK = Black XXXX = RAL # CST = Custom (supply chip)	91A = Solite 92A = Supertex 93A = Sandblasted 94A = Clear 95A = Full Prismatic



**SPECIALTY LIGHTING INDUSTRIES, INC.**

NOTE: These specifications subject to change without notice.

[www.specialtylightingindustries.com](http://www.specialtylightingindustries.com)

1306 DORIS AVENUE, OCEAN, NJ 07712 USA 800.462.7812 732.517.0800 FAX 732.517.0971 ©