

Twin lamp, low-voltage halogen recessed combination wall washer and accent light with nominal 4"x8" rectangular 2 cell aperture and flangeless trim. Suitable for install from below applications.

TYPE: \_\_\_\_\_

JOB: \_\_\_\_\_

SPECIFIER: \_\_\_\_\_

**SPECIFICATIONS**

**HOUSING** - Precision die-formed heavy gauge aluminum with perforated flangeless trim and integrated screed edge.

**MOUNTING** - Install from below into sheetrock ceiling.

**ELECTRICAL** - "Integral dimmable electronic transformer. 120v primary lead, (220v, 240v, 277v available), 11.75v secondary with overload protection. External thermoprotector. Remote magnetic transformer available.

**LAMP** - (2) MR-16, 50w max. supplied by others.

**LABELS** - CSA-C,US, Damp location.

**SOCKET** - Precision die formed aluminum socket plate and one adjustable aluminum yoke and CNC machined lampholder assembly. G4/G6 ceramic socket with high temperature, teflon coated lead wires.

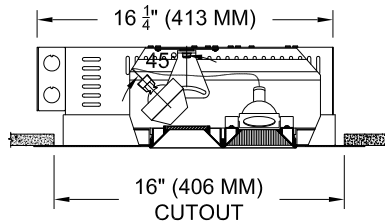
**LENS** - Supertex borosilicate spread lens, hinged for relamping. Optional lens on accent light cell.

**TRIM** - Flangeless, two piece die-cast aluminum pyramidal shield.

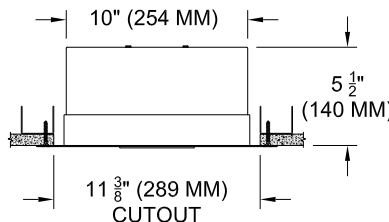
**FINISH** - White powder paint housing. Aperture trim available in black white or RAL colors as standard. Consult factory for custom finishes.

**APPLICATIONS**

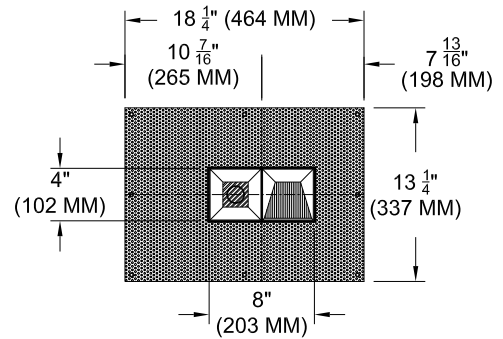
Wallwashing and accent lighting in low to medium ceiling heights typically found in residential, commercial and retail applications. Suitable for new or existing construction with limited recessing depth.



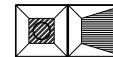
SECTION



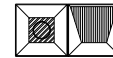
SECTION



REFLECTED PLAN VIEW-A



REFLECTED PLAN VIEW-B



REFLECTED PLAN VIEW-C

**ORDERING INFORMATION**

| HOUSING   | TRIM           | TRANSFORMER  | LENS HOLDER              | LAMP LENS  | TRIM FINISH  | APERTURE LENS  |
|---|----------------|--|--------------------------|--|--|--|
| 1240AW_-2MR16-SPH   | ZT             |  |                          |  |  |  |
| Shallow plaster housing<br>AWA = Side WW<br>AWB = Right WW<br>AWC = Left WW | ZT = Zero Trim | EX = Electronic 120<br>EX2=2 Cir Elec 220<br>RX = Remote 240<br>TX= Magnetic 277 | CL= Conical<br>FL = Flat | 90L = Clear<br>91L = Solite<br>92L = Supertex<br>93L = Sandblasted<br>95L = Full Prismatic | P14 = Matte White<br>BLK = Black<br>XXXX = RAL #<br>CST = Custom (supply chip) | 91A = Solite<br>92A = Supertex<br>93A = Sandblasted<br>94A = Clear<br>95A = Full Prismatic |



**SPECIALTY LIGHTING INDUSTRIES, INC.**

NOTE: These specifications subject to change without notice.

[www.specialtylightingindustries.com](http://www.specialtylightingindustries.com)

1306 DORIS AVENUE, OCEAN, NJ 07712 USA 800.462.7812 732.517.0800 FAX 732.517.0971 ©