

Single lamp, low-voltage halogen, recessed wall washer with nominal 4" square aperture. Wallwashing in low to medium ceiling heights typically found in residential, commercial and retail applications. Suitable for new construction.

SPECIFICATIONS

HOUSING

- Precision die-formed heavy gauge aluminum with perforated flangeless trim and integrated screed edge

MOUNTING

- Recessed in architectural ceiling

ELECTRICAL

- Integral dimmable electronic transformer
- 120v primary lead, (220v, 240v, 277v available), 11.75v secondary with overload protection
- External thermoprotector

LAMP

- MR-16 NFL(Narrow Flood), 50w max. supplied by others

SOCKET

- Precision die-formed aluminum socket plate
- G4/G6 ceramic socket with high temperature, teflon coated lead wires

LENS

- Supertex borosilicate spread lens, hinged for relamping
- Optional filters available for lampholder


TRIM

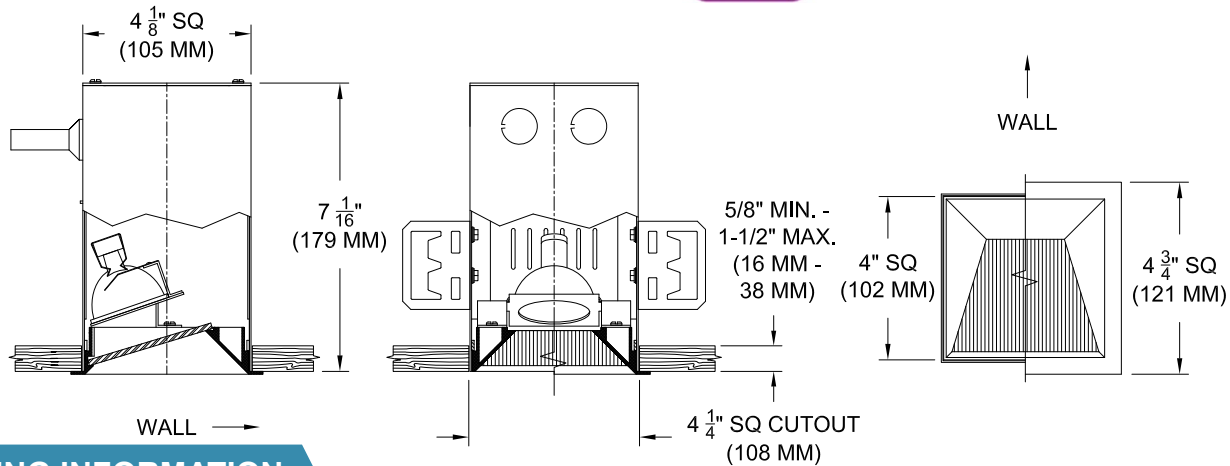
- Flanged or flangeless, one piece die-cast aluminum pyramidal shield
- ST trim fully sealed and gasketed

FINISH

- Black powder paint housing
- Aperture trim available in black and white as standard
- Solid wood, additional colors, RAL palette, custom finishes available

LABELS

-  , US tested to UL standards 1598, Damp location, Wet with ST trim,



ORDERING INFORMATION

MODEL	TRIM	TRANSFORMER	LAMP LENS	TRIM FINISH	APERTURE LENS
1240-MR16-CUH					
Compact Universal Housing	FT =Flanged Trim ST =Shower Trim* ZT =Zero Trim *Aperture lens required	EX =Electronic / 120v EXS =Elect. SORAA* / 220v / 240v 277v *Standard 120v	98L = UV	P14 = White BLK =Black PXX = SLI Color WXX = Wood XXXX = RAL # CST = Custom	82A = Frosted Supertex



Patent Pending.
These specifications subject to change without notice.

www.specialtylightingindustries.com
 1306 Doris Avenue, Ocean, NJ 07712 USA
 800.462.7812 732.517.0800 FAX:732.517.0971