

Single lamp, solid state light engine, recessed wall washer with nominal 4" square aperture. Wallwashing in low to high ceiling heights typically found in residential, commercial and retail applications. Suitable for new or existing construction in sheetrock ceilings.

## SPECIFICATIONS

### HOUSING

- Precision die-formed heavy gauge aluminum
- ∞ Airtight construction suitable for direct contact with insulation

### MOUNTING

- Install from below in sheetrock ceiling

### ELECTRICAL

- Integral dimmable electronic driver with internal short circuit protection

### LAMP

- Citizen LED supplied with fixture

### SOCKET

- Precision aluminum yoke with CNC machined lampholder assembly

### LENS

- Frosted Supertex borosilicate spread lens, hinged for relamping



### TRIM

- Flanged or flangeless, one piece die-cast aluminum pyramidal shield
- ST is flanged trim fully sealed and gasketed. Aperture lens required

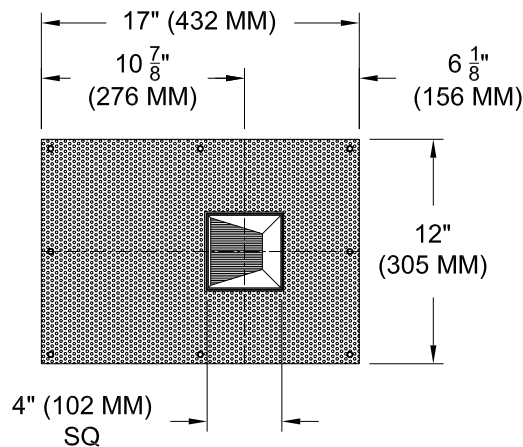
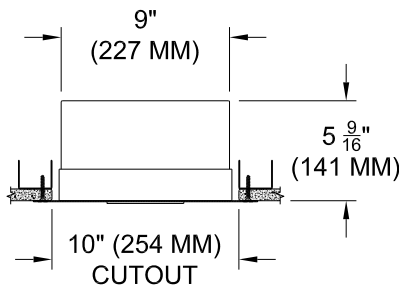
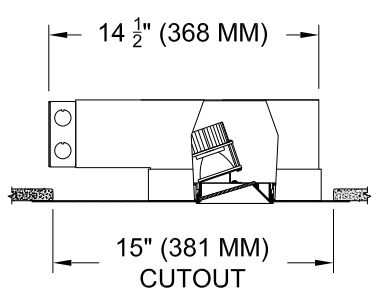
### FINISH

- Black powder paint housing
- Aperture trim available in black and white as standard
- Solid wood, additional colors, RAL palette, custom finishes available

### LABELS

-  US, US tested to UL standards 1598, Damp location, Wet with ST trim, IC/Airtight, Chicago Plenum,  JA8 Approved

JOB: \_\_\_\_\_  
 SPECIFIER: \_\_\_\_\_  
 TYPE: \_\_\_\_\_  
 QUANTITY: \_\_\_\_\_  
 SIGNATURE: \_\_\_\_\_



## ORDERING INFORMATION

1240-LEDZ-APH	TRIM	SOURCE / DRIVER	TRIM FINISH	APERTURE LENS	ACCESSORIES
		/		82A	
Airtight Plaster Housing 9 = 90+CRI • 27 = 2700K • 30 = 3000K 35 = 3500K 40 = 4000K	FT=Flanged Trim ST=Shower Trim* ZT=Zero Trim  *Aperture lens required	<ul style="list-style-type: none"> <li>• CZ14=120-277v, 14W 1100lm</li> <li>• CZ20=120-277v, 20W 2265lm</li> <li>• CZ28*=120-277v, 28W 3000lm</li> <li>• C1 =0-10V dimming, 1%, 120-277v</li> <li>• C2 =TRIAC/ELV 2-wire, 1% 120v (Lead/Trail Edge)</li> <li>• E1 =EldoLED 0-10V Logarithmic Dim, 0.1%, 120-277v</li> <li>• E2 =EldoLED DALI, 0.1%, 120-277v</li> <li>• E3 =EldoLED 0-10V Linear Dim, 0.1%, 120-277v</li> <li>• L2 =Lutron Hi-lume 1% 2-wire LED driver (120v forward phase)</li> <li>• LTB =Lutron Hi-lume 1% EcoSys LED driver, 1%, 120-277v, Soft-on, Fade-to-Black</li> </ul>	P14 = White BLK=Black PXX = SLI Color WXX = Wood XXXX = RAL # CST = Custom	82A= Frosted Supertex	CP = Chicago Plenum

• California Title 24- JA8 Approved

\*Contact Factory to request separate cutsheet