

Single lamp, solid state light engine, recessed wall washer with nominal 4" square aperture. Wallwashing in low to high ceiling heights typically found in residential, commercial and retail applications. Suitable for new construction.

## SPECIFICATIONS

### HOUSING

- Precision die-formed heavy gauge aluminum
- ≈ Airtight construction suitable for direct contact with insulation

### MOUNTING

- Recessed in architectural ceiling

### ELECTRICAL

- Integral dimmable electronic driver with internal short circuit protection

### LAMP

- Xicato LED supplied with fixture

### SOCKET

- Precision aluminum yoke with CNC machined lampholder assembly

### LENS

- Frosted Supertex borosilicate spread lens, hinged for relamping



### TRIM

- Flanged or flangeless, one piece die-cast aluminum pyramidal shield
- ST is flanged trim fully sealed and gasketed. Aperture lens required

### FINISH

- Black powder paint housing
- Aperture trim available in black and white as standard
- Solid wood, additional colors, RAL palette, custom finishes available

### LABELS

-  US, US tested to UL standards 1598, Damp location, Wet with ST trim, IC/Airtight, Chicago Plenum,  JA8 Approved

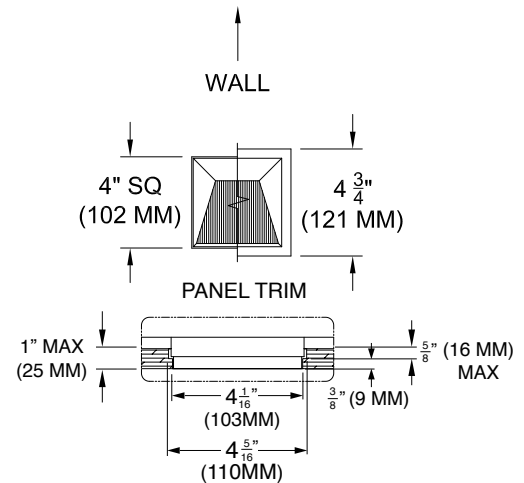
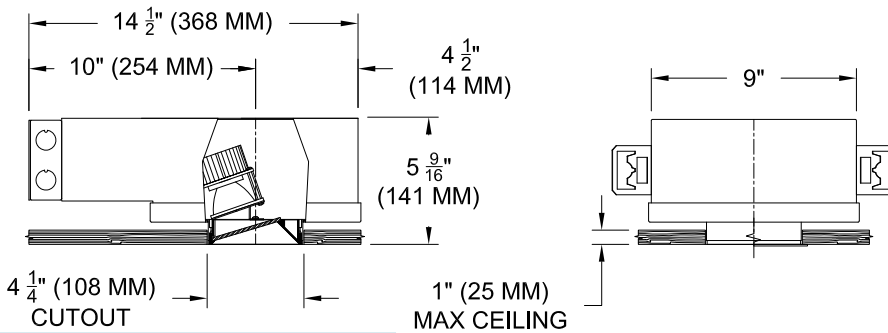
**JOB:** \_\_\_\_\_

**SPECIFIER:** \_\_\_\_\_

**TYPE:** \_\_\_\_\_

**QUANTITY:** \_\_\_\_\_

**SIGNATURE:** \_\_\_\_\_



Hanger bars sold separately

## ORDERING INFORMATION

1240-LEDX-AUH	TRIM	SOURCE / DRIVER	TRIM FINISH	APERTURE LENS	ACCESSORIES
		/		<b>82A</b>	
Airtight Universal Housing <b>8</b> = 80CRI • <b>27</b> = 2700K • <b>9</b> = 98CRI • <b>30</b> = 3000K • <b>35</b> = 3500K • <b>40</b> = 4000K	FT=Flanged Trim PT=Panel Trim** ST=Shower Trim* ZT=Zero Trim  **WXX only *Aperture lens required	• <b>XT8</b> = 120v-277v, 8W 800lm • <b>XT12</b> = 120v-277v, 12W 1055lm • <b>XT17</b> = 120v-277v, 17W 1400lm • <b>XT26*</b> = 120v-277v, 26W 2000lm  • <b>C1</b> =0-10V dimming, 1%, 120-277v • <b>C2</b> =TRIAC/ELV 2-wire, 1% 120v (Lead/Trail Edge) • <b>E1</b> =EldoLED 0-10V Logarithmic Dim, 0.1%, 120-277v • <b>E2</b> =EldoLED DALI, 0.1%, 120-277v • <b>E3</b> =EldoLED 0-10V Linear Dim, 0.1%, 120-277v • <b>L2</b> =Lutron Hi-lume 1% 2-wire LED driver (120v forward phase) • <b>LTB</b> =Lutron Hi-lume 1% EcoSys LED driver, 1%, 120-277v, Soft-on, Fade-to-Black	<b>P14</b> = White <b>BLK</b> =Black <b>PXX</b> = SLI Color <b>WXX</b> = Wood <b>XXXX</b> = RAL # <b>CST</b> = Custom	<b>82A</b> = Frosted Supertex	<b>CP</b> = Chicago Plenum

\*Contact Factory to request separate cutsheet

- California Title 24- JA8 Approved

Driver specs based on 98 CRI. [Click to View 80 CRI driver specs](#)