

Single lamp, solid state light engine, recessed wall washer with nominal 4" square aperture. Wallwashing in low to high ceiling heights typically found in residential, commercial and retail applications. Suitable for new construction.

## SPECIFICATIONS

### HOUSING

- Precision die-formed heavy gauge aluminum
- ∞ Airtight construction suitable for direct contact with insulation

### MOUNTING

- Recessed in architectural ceiling

### ELECTRICAL

- Integral dimmable electronic driver with internal short circuit protection

### LAMP

- AmbientDim™ LED supplied with fixture

### SOCKET

- Precision aluminum yoke with CNC machined lampholder assembly

### LENS

- Frosted Supertex borosilicate spread lens, hinged for relamping



### TRIM

- Flanged or flangeless, one piece die-cast aluminum pyramidal shield
- ST is flanged trim fully sealed and gasketed. Aperture lens required

### FINISH

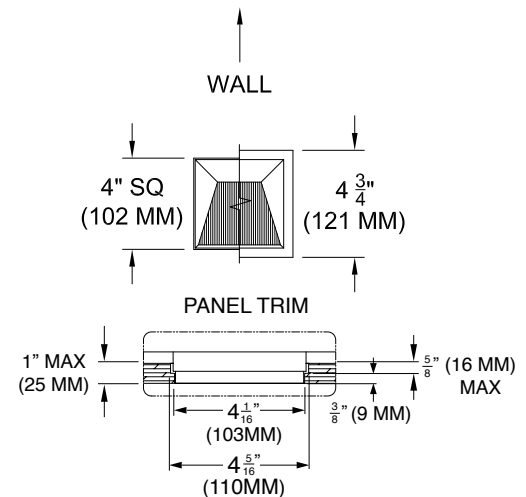
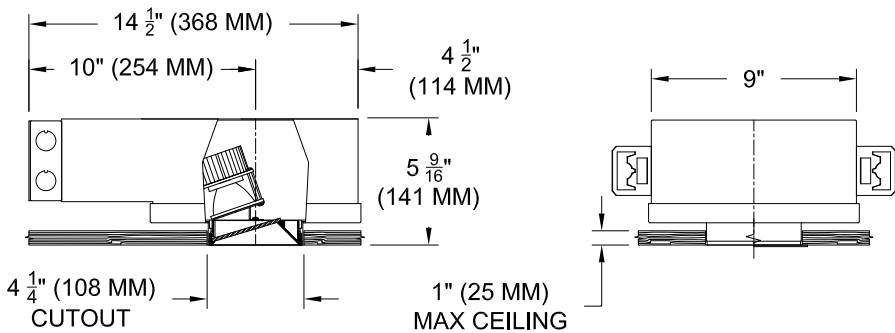
- Black powder paint housing
- Aperture trim available in black and white as standard
- Solid wood, additional colors, RAL palette, custom finishes available

### LABELS

-  US, US tested to UL standards 1598, Damp location, Wet with ST trim, IC/Airtight, Chicago Plenum,  JA8 Approved

**JOB:** \_\_\_\_\_  
**SPECIFIER:** \_\_\_\_\_  
**TYPE:** \_\_\_\_\_  
**QUANTITY:** \_\_\_\_\_  
**SIGNATURE:** \_\_\_\_\_

**AmbientDim™**



## ORDERING INFORMATION

Hanger bars sold separately

1240-LED-AD-AUH	TRIM	SOURCE / DRIVER	TRIM FINISH	APERTURE LENS	ACCESSORIES
		<b>AD14</b> /		<b>82A</b>	
Airtight Universal Housing Ambient Dimming LED  *CCT Max 3000K-1900K	<b>FT</b> =Flanged Trim <b>PT</b> =Panel Trim** <b>ST</b> =Shower Trim* <b>ZT</b> =Zero Trim  **WXX only *Aperture lens required	<ul style="list-style-type: none"> <li>• <b>AD14</b>= 350ma, 14.5W, 1000lm</li> <li>• <b>C1</b>=0-10V dimming, 1%, 120-277v</li> <li>• <b>C2</b>=TRIAC/ELV 2-wire, 1% 120v (Lead/Trail Edge)</li> <li>• <b>E1</b>=EldoLED 0-10V Logarithmic Dim, 0.1%, 120-277v</li> <li>• <b>E2</b>=EldoLED DALI, 0.1%, 120-277v</li> <li>• <b>E3</b>=EldoLED 0-10V Linear Dim, 0.1%, 120-277v</li> <li>• <b>L2</b>=Lutron Hi-lume 1% 2-wire LED driver (120v forward phase)</li> <li>• <b>LTB</b>=Lutron Hi-lume 1% EcoSys LED driver, 1%, 120-277v, Soft-on, Fade-to-Black</li> </ul>	<b>P14</b> = White <b>BLK</b> =Black <b>PXX</b> = SLI Color <b>WXX</b> = Wood <b>XXXX</b> = RAL # <b>CST</b> = Custom	<b>82A</b> = Frosted Supertex	<b>CP</b> = Chicago Plenum

• California Title 24- JA8 Approved



Patent Pending. These specifications subject to change without notice.

**www.specialtylightingindustries.com**  
 1306 Doris Avenue, Ocean, NJ 07712 USA  
 800.462.7812 732.517.0800 FAX:732.517.0971  
 05/19