

Dual lamp, solid state light engine, recessed wall washer with 4"x 9" (100mm x 225mm) rectilinear aperture. Wallwashing in medium to high ceiling heights typically found in residential, commercial and retail applications. Suitable for new construction.

## SPECIFICATIONS

### HOUSING

- Precision die-formed heavy gauge aluminum
- ≈ Airtight construction suitable for direct contact with insulation

### MOUNTING

- Recessed in architectural ceiling

### ELECTRICAL

- Integral dimmable electronic driver with internal short circuit protection

### LAMP

- (2) Citizen LEDs supplied with fixture

### SOCKET

- Precision aluminum yoke with CNC machined lampholder assembly

### LENS

- Optional borosilicate lenses available for aperture


### TRIM

- Flanged or flangeless, one piece die-cast aluminum pyramidal shield
- ST is flanged trim fully sealed and gasketed. Aperture lens required

### FINISH

- Black powder paint housing
- Aperture trim available in black and white as standard
- Solid wood, additional colors, RAL palette, custom finishes available

### LABELS

-  , US tested to UL standards 1598, Damp location, Wet with ST trim, IC/Airtight

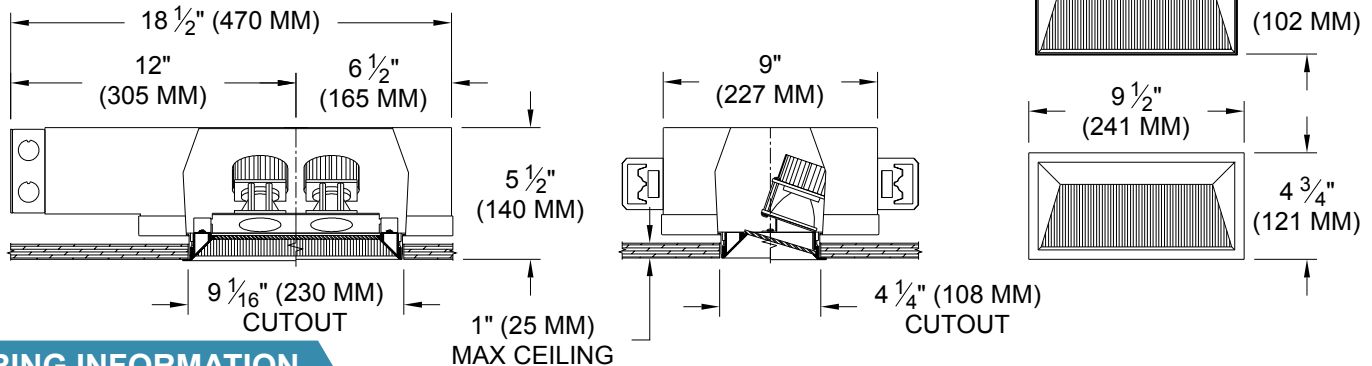
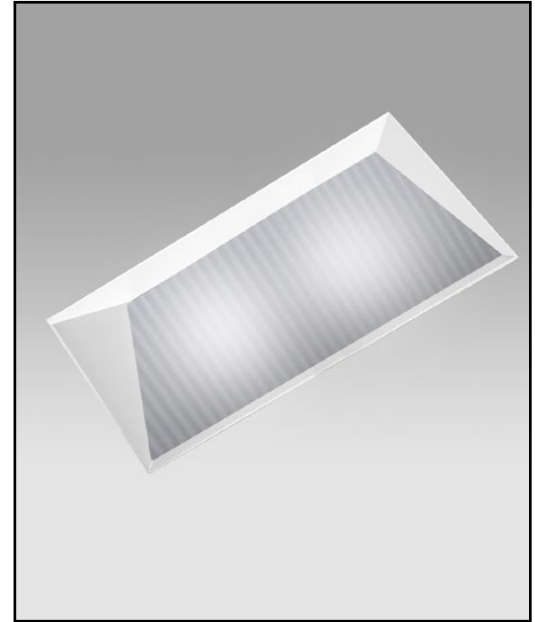
**JOB:** \_\_\_\_\_

**SPECIFIER:** \_\_\_\_\_

**TYPE:** \_\_\_\_\_

**QUANTITY:** \_\_\_\_\_

**SIGNATURE:** \_\_\_\_\_



## ORDERING INFORMATION

1240-2LEDZ-AUH	TRIM	SOURCE / DRIVER	TRIM FINISH	APERTURE LENS
		/		82A
Airtight Universal Housing <b>9</b> = 90+CRI <b>27</b> = 2700K <b>30</b> = 3000K <b>35</b> = 3500K <b>40</b> = 4000K	<b>FT</b> =Flanged Trim <b>PT</b> =Panel Trim** <b>ST</b> =Shower Trim* <b>ZT</b> =Zero Trim **WXX Only *Aperture lens required	<b>CZ14</b> =120-277v, 14W 1100lm <b>CZ20</b> =120-277v, 20W 1650lm <b>CZ28**</b> =120-277v, 28W 2200lm <b>S1</b> =0-10V dimming, 1%, 120-277v <b>T1</b> =TRIAC/ELV 2-wire, 3% 120v (Lead/Trail Edge) <b>E1</b> =EldoLED 0-10V Logarithmic Dim, 0.1%, 120-277v <b>E2</b> =EldoLED DALI, 0.1%, 120-277v <b>E3</b> =EldoLED 0-10V Linear Dim, 0.1%, 120-277v <b>L2</b> =Ltrn Hi-lume 1% 2-wr LED driver (120v fwd phase) <b>L3</b> =Lutron Hi-lume 1% 3-wire/EcoSystem, 120-277v <b>LTB</b> =Lutron Hi-lume 1% EcoSys LED driver, 1%, 120-277v, Soft-on, Fade-to-Black	<b>P14</b> = White <b>BLK</b> =Black <b>PXX</b> = SLI Color <b>WXX</b> = Wood <b>XXXX</b> = RAL # <b>CST</b> = Custom	<b>82A</b> = Frosted Supertex

\*\*Contact Factory to request separate cutsheet



Patent Pending.  
 These specifications subject to change without notice.

[www.specialtylightingindustries.com](http://www.specialtylightingindustries.com)  
 1306 Doris Avenue, Ocean, NJ 07712 USA  
 800.462.7812 732.517.0800 FAX:732.517.0971