

Single lamp, solid state light engine, surface mounted wall wash light with nominal 6" (152mm) aperture. General wall washing in medium to high ceiling heights typically found in residential, commercial and retail applications. Suitable for new or existing construction.

SPECIFICATIONS

HOUSING

- Heavy wall extruded aluminum tube with machined adjustable ceiling collar

MOUNTING

- Surface mounted or Pendant mounted

ELECTRICAL

- Integral dimmable electronic driver with internal short circuit protection
- 120v-277v primary, compatible with 0-10v dimmers
- Lutron and other dimming options available, consult factory

LAMP

- Citizen LED supplied with fixture
- Available in 2700 thru 4000K color temperature and 90+ CRI

SOCKET

- Removable lamp cassette simplifies installation and permits easy access for maintenance
- **Usocket™** allows easy field replacement of light engine


LENS

- Custom semi-specular anodized aluminum reflector with supertex borosilicate spread lens

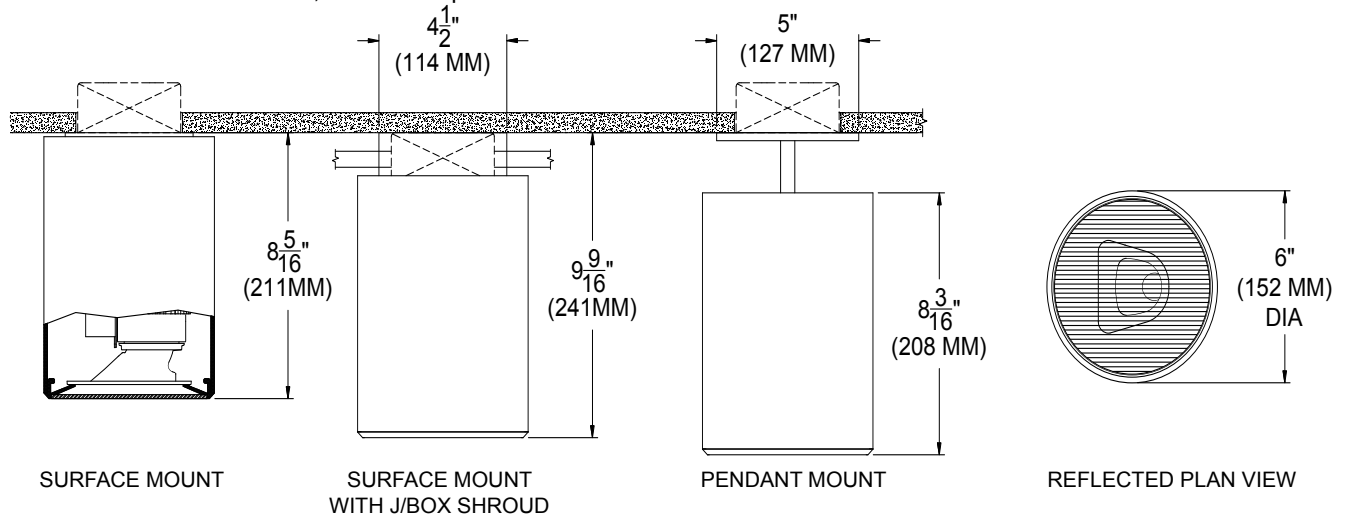
FINISH

- Housing available in black and white as standard
- Additional colors, RAL palette, custom finishes

LABELS

-  , US tested to UL standards 1598, Wet or Damp location

JOB: _____
 SPECIFIER: _____
 TYPE: _____
 QUANTITY: _____
 SIGNATURE: _____



ORDERING INFORMATION

1218-LEDZ-SH	DRIVER	FINISH	APERTURE LENS	ACCESSORIES
			92A	
Surface Mounted Housing 9 = 90+CRI 27 = 2700K 30 = 3000K 35 = 3500K 40 = 4000K	CZ14=120-277v, 14W 1100lm CZ20=120-277v, 20W 1650lm CZ28=120-277v, 28W 2200lm *Add ELDO for EldoLED 0-10v Dimming *Add DM2 for 2 wire dimming *Add LT2, LT3, LT5 for Lutron 2 wr, Lutron 3 wr, Lutron 5 wr dimming, LTB Lutron fade to Black	P14 = White BLK=Black PXX = SLI Color XXXX = RAL # CST = Custom	92A = Supertex	JB= Junction Box Cover Shroud PM = Pendant Mount