

Dual lamp, solid state light engine, recessed wall washer with nominal 7"x 9.5" (178mm x 241mm) rectilinear flanged trim. Wallwashing in medium to tall ceiling heights typically found in commercial and retail applications. Suitable for new construction.

SPECIFICATIONS

HOUSING

- Precision die-formed heavy gauge aluminum

MOUNTING

- Recessed in architectural ceiling

ELECTRICAL

- Integral dimmable electronic driver with internal short circuit protection

LAMP

- (2) Citizen LEDs supplied with fixture

LENS

- Frosted Supertex borosilicate spread lens

TRIM

- Flanged

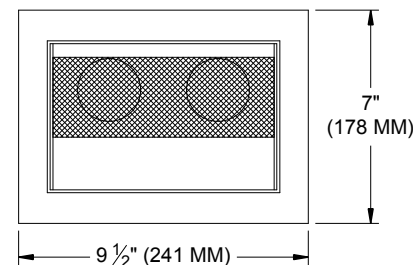
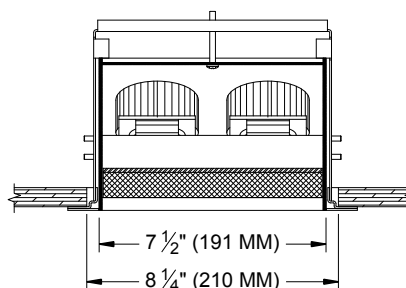
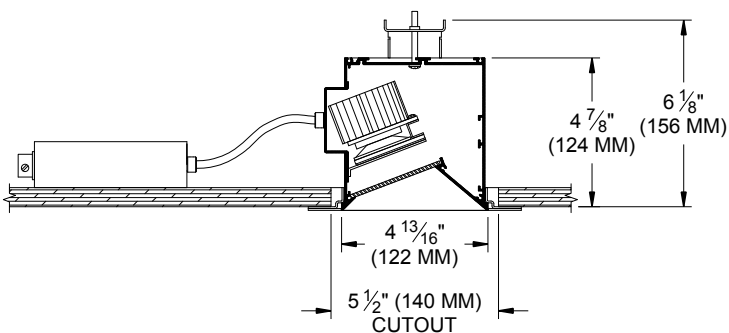
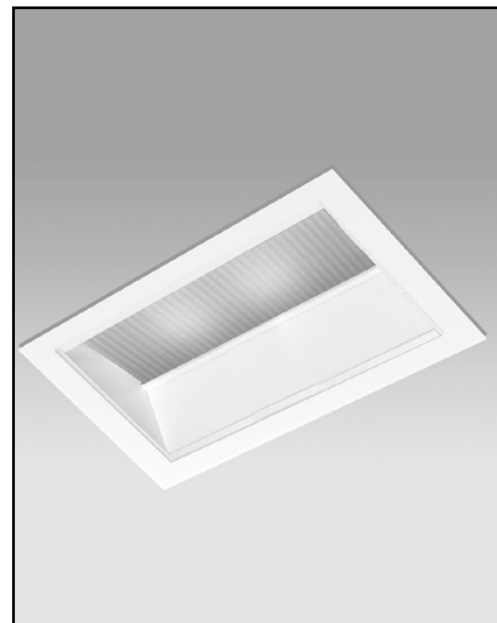
FINISH

- Housing available in white as standard
- Additional colors, RAL palette, custom finishes available

LABELS

-  , US tested to UL standards 1598, Damp location

JOB: _____
 SPECIFIER: _____
 TYPE: _____
 QUANTITY: _____
 SIGNATURE: _____



ORDERING INFORMATION

1200R-LEDZ-FH	SOURCE / DRIVER	TRIM FINISH	APERTURE LENS
	CZ14 /		82A
Flanged Housing 9 = 90+CRI 27 = 2700K 30 = 3000K 35 = 3500K 40 = 4000K	CZ14 =120-277v, 14W 1100lm S1 =0-10V dimming, 1%, 120-277v T1 =TRIAC/ELV 2-wire, 3% 120v (Lead/Trail Edge) E1 =EldoLED 0-10V Logarithmic Dim, 0.1%, 120-277v E2 =EldoLED DALI, 0.1%, 120-277v E3 =EldoLED 0-10V Linear Dim, 0.1%, 120-277v L2 =Ltrn Hi-lume 1% 2-wr LED driver (120v frwd phase) L3 =Lutron Hi-lume 1% 3-wire/EcoSystem, 120-277v LTB =Lutron Hi-lume 1% EcoSys LED driver, 1%, 120-277v, Soft-on, Fade-to-Black	P14 = White BLK =Black PXX = SLI Color XXXX = RAL # CST = Custom	82A = Frosted Supertex



Patent Pending.
 These specifications subject to change without notice.

www.specialtylightingindustries.com
 1306 Doris Avenue, Ocean, NJ 07712 USA
 800.462.7812 732.517.0800 FAX:732.517.0971