

Single lamp, fluorescent recessed wall washer with nominal 5"x 6" aperture.

TYPE: \_\_\_\_\_

JOB: \_\_\_\_\_

SPECIFIER: \_\_\_\_\_

**SPECIFICATIONS**

**HOUSING** - Extruded aluminum. Precision die-formed plaster frame with perforated flangeless trim and integrated screed edge.

**MOUNTING** - Recessed in sheetrock ceiling.

**ELECTRICAL** - Integral electronic, thermally protected ballast. 120v, 277v, (220v 240v, available). External thermoprotector.

**LAMP** - Triple tube compact fluorescent.

**LABELS** - UL, C-UL, Damp location

**SOCKET** - GX24q PBT socket with high temperature, teflon coated lead wires.

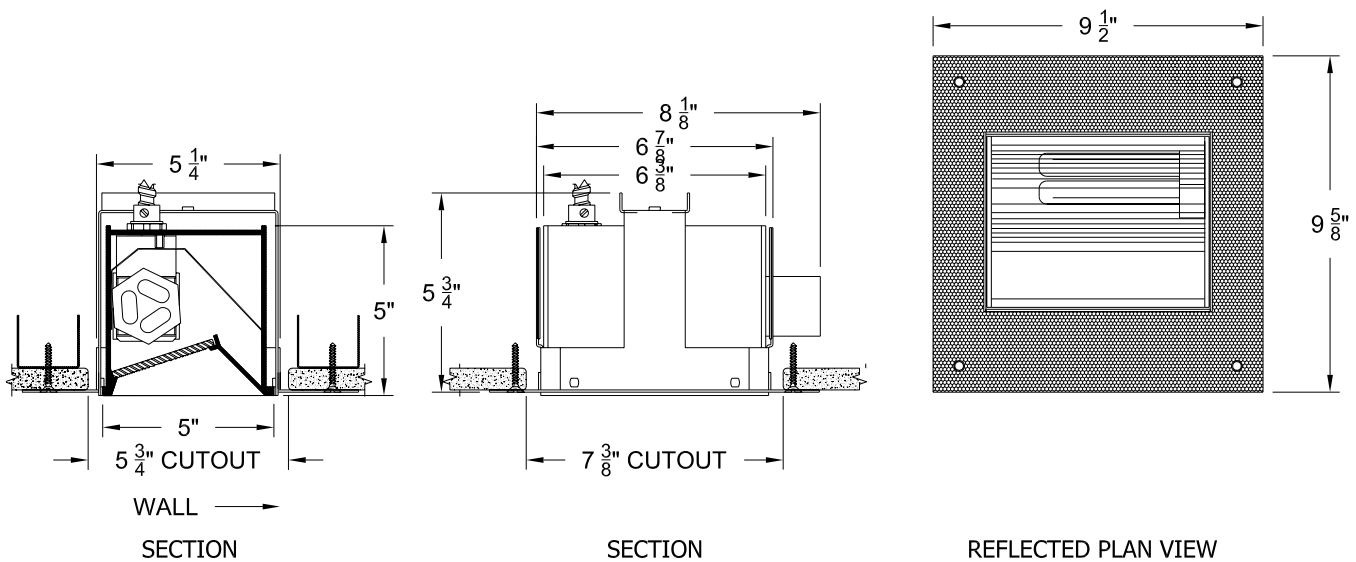
**LENS** - Acrylic or cast borosilicate fresnel lenses available.

**TRIM** - Flangeless, integral to housing.

**FINISH** - Powder paint on all surfaces in black and white as standard. Additional colors and RAL palette available. Consult factory for custom finishes.

**APPLICATIONS**

Wallwashing in low ceiling heights typically found in residential, and commercial applications. Suitable for new or existing construction.



**ORDERING INFORMATION**

HOUSING	BALLAST	FINISH	LENS
<b>1100-CF__PH</b>			
Flangeless Housing with Plaster Frame. 18 = 18 watt 26 = 26 watt 32 = 32 watt	120 220 240 277	WHT = White BLK = Black PXX = SLI Color XXXX = RAL # CST = Custom	80 = Fresnel 83 = Frosted Fresnel 84 = Fresnel Acrylic 87 = Frosted Fresnel Acrylic



**SPECIALTY LIGHTING INDUSTRIES, INC.**

NOTE: These specifications subject to change without notice.

[www.specialtylightingindustries.com](http://www.specialtylightingindustries.com)

1306 DORIS AVENUE, OCEAN, NJ 07712 USA 800.462.7812 732.517.0800 FAX 732.517.0971 © 12/08