

Multi-lamp, low-voltage halogen, surface mounted strip light with 2" x 3" housing.

TYPE: _____

JOB: _____

SPECIFICATIONS

HOUSING - Extruded aluminum with seamless welded and ground end plates.

MOUNTING - Surface mounted.

ELECTRICAL - Integral dimmable electronic transformer. 120v primary lead, (220v, 240v, 277v available), 11.75v secondary with overload protection. Remote transformer required for 4" spacing must be ordered separately.

LAMP - ALR-12, MR-11, MR16, AR70 75w max. supplied by others.

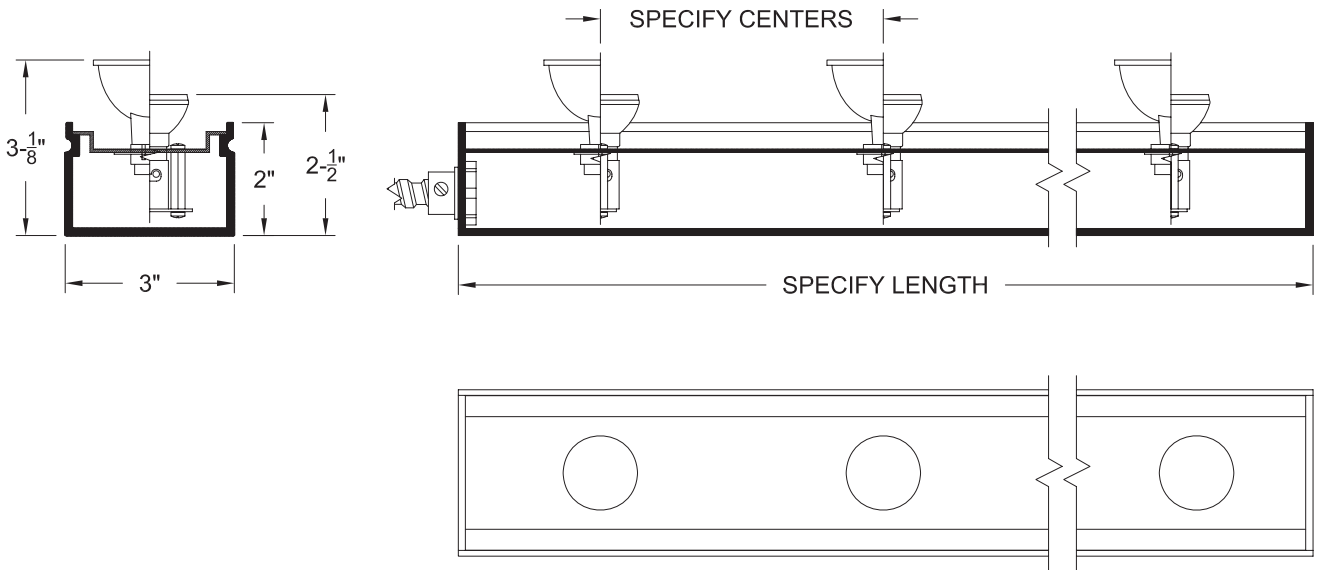
LABELS - UL, C-UL

SOCKET - Precision die formed aluminum socket plate. G4/G6 ceramic socket or nickel plated steel double contact bayonet base with stainless steel spring for optimum contact. High temperature lead wires.

FINISH - Powder paint on all surfaces available in black white or RAL colors as standard. Consult factory for custom finishes.

APPLICATIONS

Small profile strip light used for wall grazing or uplighting. May be concealed with architectural coves, soffits or valances.



ORDERING INFORMATION

HOUSING	TRANSFORMER	LAMP SPACING	LENGTH	FINISH
106-__-SH				
Surface housing MR = MR lamp ALR = ALR lamp	EX = Electronic RX = Remote	4 = 4" 6 = 6" or custom spacing	Specify exact length	WHT = White BLK = Black XXXX = RAL # CST = Custom (supply chip)

This information is provided as a specification aid. A submittal will be prepared by the manufacturer for approval prior to fabricating this product.



SPECIALTY LIGHTING INDUSTRIES, INC.

NOTE: These specifications subject to change without notice.

www.specialtylightingindustries.com

1306 DORIS AVENUE, OCEAN, NJ 07712 USA 800.462.7812 732.517.0800 FAX 732.517.0971 © 2006