

Dual lamp, solid state light engine, recessed accent light with 4"x 8" (100mm x 200mm) rectangular trim, 2 cell aperture and optional glass diffuser. Accent and down-lighting in medium to high ceiling heights typically found in residential, commercial and retail applications. Suitable for new or existing construction in sheetrock ceilings.

**SPECIFICATIONS**

**HOUSING**

- Precision die-formed heavy gauge aluminum
- ≈ Airtight construction suitable for direct contact with insulation

**MOUNTING**

- Install from below in sheetrock ceiling

**ELECTRICAL**

- Integral dimmable electronic driver with internal short circuit protection

**LAMP**

- (2) Citizen LED supplied with fixture

**SOCKET**

- Precision aluminum yoke with CNC machined lampholder assembly

**LENS**

- Interchangeable reflector provides multiple beam patterns
- Optional borosilicate lenses available for aperture



**TRIM**

- Flangeless, two piece die-cast aluminum pyramidal shield

**FINISH**

- Black powder paint housing
- Aperture trim available in black and white as standard
- Solid wood, additional colors, RAL palette, custom finishes available

**LABELS**

-  <sub>US</sub>, US tested to UL standards 1598, Damp location, IC/Airtight, Chicago Plenum,  JA8 Approved

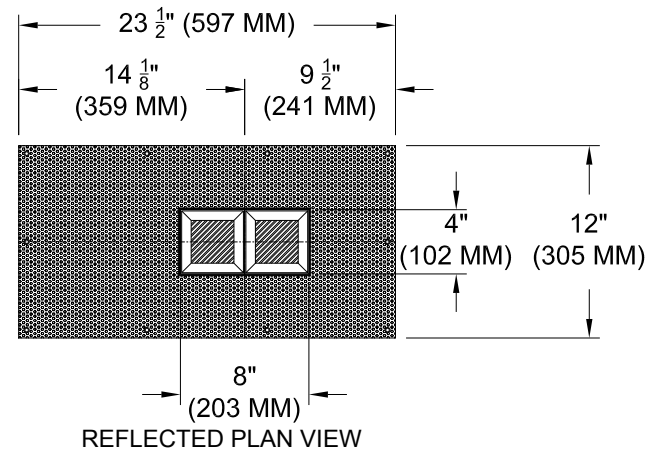
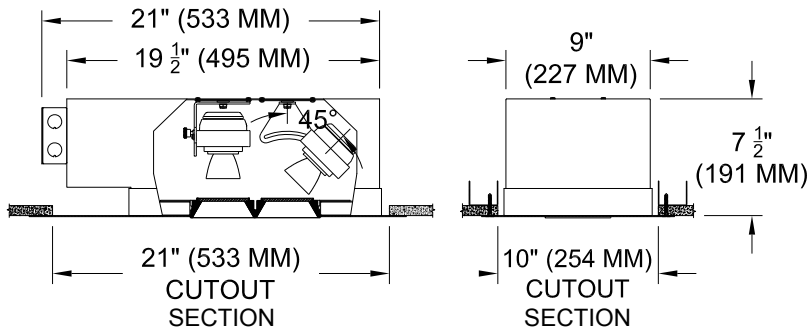
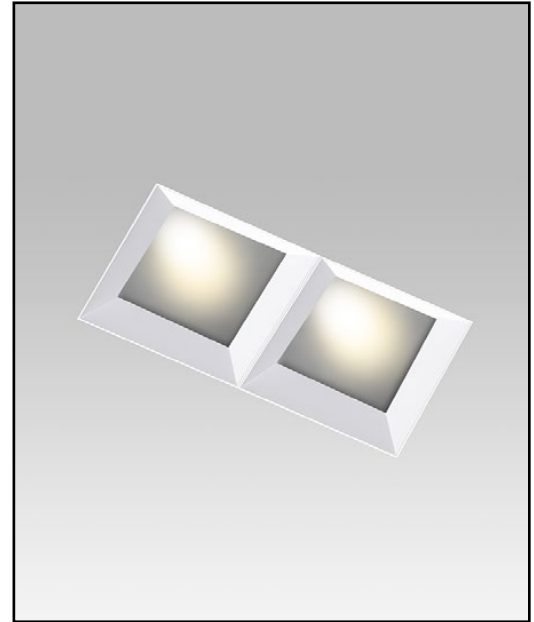
**JOB:** \_\_\_\_\_

**SPECIFIER:** \_\_\_\_\_

**TYPE:** \_\_\_\_\_

**QUANTITY:** \_\_\_\_\_

**SIGNATURE:** \_\_\_\_\_



**ORDERING INFORMATION**

1057-2LEDZ-APH	TRIM	SOURCE / DRIVER	BEAMSPREAD	TRIM FINISH	APERTURE LENS	ACCESSORIES
	ZT	/				
Airtight Plaster Housing 9 = 90+CRI • 27 = 2700K • 30 = 3000K 35 = 3500K 40 = 4000K	ZT=Zero Trim	<ul style="list-style-type: none"> <li>• CZ14=120-277v, 14W 1100lm</li> <li>• CZ20=120-277v, 20W 2265lm</li> <li>• CZ28=120-277v, 28W 3000lm</li> </ul> <hr/> <ul style="list-style-type: none"> <li>• C1 =0-10V dimming, 1%, 120-277v</li> <li>• C2 =TRIAC/ELV 2-wire, 1% 120v (Lead/Trail Edge)</li> <li>• E1 =EldoLED 0-10V Logarithmic Dim, 0.1%, 120-277v</li> <li>• E2 =EldoLED DALI, 0.1%, 120-277v</li> <li>• E3 =EldoLED 0-10V Linear Dim, 0.1%, 120-277v</li> <li>• L2 =Lutron Hi-lume 1% 2-wire LED driver (120v forward phase)</li> <li>• LTB =Lutron Hi-lume 1% EcoSys LED driver, 1%, 120-277v, Soft-on, Fade-to-Black</li> <li>• LTP =Lutron Hi-lume Premier 0.1%, Fade-to-Black digital Ecosystem, 120-277v (PEQO)</li> </ul>	15 = 15 Degrees 24 = 24 Degrees 38 = 38 Degrees 60 = 60 Degrees	P14 = White BLK=Black PXX = SLI Color WXX = Wood XXXX = RAL # CST = Custom	Blank= None 90A = Clear 91A = Solite 92A = Supertex 93A = Frosted	CP=Chicago Plenum

• California Title 24- JA8 Approved



[www.specialtylightingindustries.com](http://www.specialtylightingindustries.com)  
 1306 Doris Avenue, Ocean, NJ 07712 USA  
 800.462.7812 732.517.0800 FAX:732.517.0971

Patent Pending. These specifications subject to change without notice.