

Dual lamp, solid state light engine, recessed accent light with nominal 3"x 6" (75mm x 150mm) rectangular 2 cell aperture and flangeless trim.

TYPE: _____

JOB: _____

SPECIFIER: _____

SPECIFICATIONS

HOUSING - Precision die-formed heavy gauge aluminum with adjustable mounting bracket and die-cast ceiling collar.

MOUNTING - Recessed in architectural ceiling.

ELECTRICAL - Integral dimmable electronic driver with internal short circuit protection. 120v-277v primary, compatible with 0-10v dimmers. Also available for 120v phase control.

LAMP - (2) Xicato LED supplied with fixture. See performance information for available Color temperature and CRI.

LABELS - CSA-C,US, Damp location, IC, Airtight

SOCKET - Precision aluminum yoke with CNC machined lampholder assembly. Usocket™ allows easy field replacement of light engine.

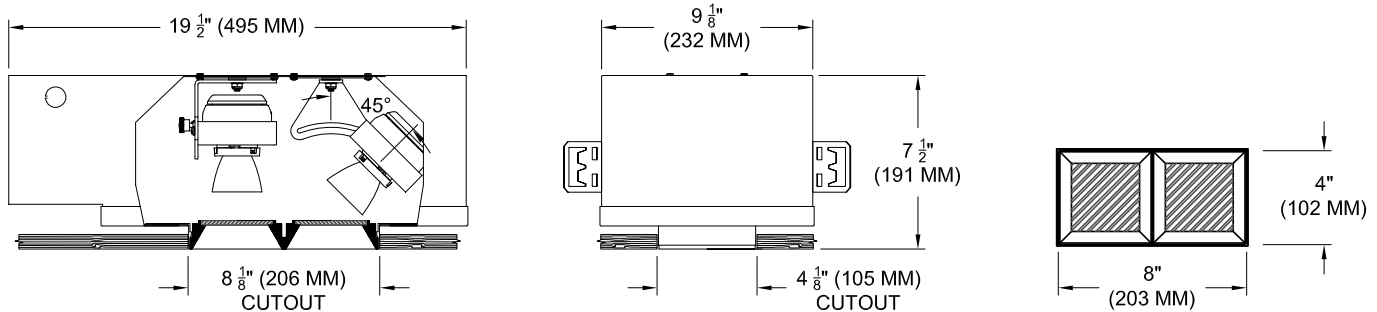
LENS - Interchangeable reflector provides multiple beam patterns. Optional borosilicate lenses available for aperture.

TRIM - Flangeless, two piece die-cast aluminum pyramidal shield.

FINISH - Black powder paint housing. Aperture trim available in black and white as standard. Solid wood, additional colors and RAL palette available. Consult factory for custom finishes.

APPLICATIONS

Accent and downlighting in medium to high ceiling heights typically found in residential, commercial and retail applications. Suitable for new construction. Suitable for use in solid surface ceilings such as wood, stone, metal panel or glass.



ORDERING INFORMATION

HOUSING	TRIM	DRIVER	BEAMSPREAD	TRIM FINISH	APERTURE LENS
1057-2LEDX__-AUH					
Universal Housing 8 = 80CRI 27 = 2700K 9 = 95CRI 30 = 3000K 35 = 3500K 40 = 4000K	ZT = Zero Trim	125 = 120v-277v HE 127 = 120v-277v HO 1210 = 120v-277v VHO	20 = 20 Degrees 30 = 30 Degrees 40 = 40 Degrees	P14 = White PXX = SLI Color WXX = Wood XXXX = RAL # CST = Custom	Blank = None 91A = Solite 92A = Supertex 93A = Frosted 95A = Full Prismatic

[CLICK HERE](#) for LED and driver performance information including wattage and lumen output or go to www.specialtylightingindustries.com.



SPECIALTY LIGHTING INDUSTRIES, INC.

NOTE: These specifications subject to change without notice.

www.specialtylightingindustries.com

1306 DORIS AVENUE, OCEAN, NJ 07712 USA 800.462.7812 732.517.0800 FAX 732.517.0971 © 01/15