

Twin lamp, low-voltage halogen recessed accent light with nominal 4"x8" rectangular 2 cell aperture and flangeless trim. Accent and downlighting in low to medium ceiling heights typically found in residential, commercial and retail applications. Suitable for new construction with restricted plenum depth.

SPECIFICATIONS

HOUSING

- Precision die-formed heavy gauge aluminum with extruded ceiling collar

MOUNTING

- Recessed in architectural ceiling

ELECTRICAL

- Integral dimmable electronic transformer
- 120v primary lead, (220v, 240v, 277v available), 11.75v secondary with overload protection / External thermoprotector

LAMP

- (2) MR-16, 50w max. supplied by others

SOCKET

- Precision die-formed aluminum yoke with CNC machined lampholder assembly
- G4/G6 ceramic socket with high temperature, teflon coated lead wires

LENS

- Clear pyrex safety lens. Optional borosilicate lenses available for lampholder and aperture

TRIM

- Flangeless, two piece die-cast aluminum pyramidal shield

FINISH

- Black powder paint housing
- Aperture trim available in black and white as standard
- Solid wood, additional colors, RAL palette, custom finishes available

LABELS

- UL, C-UL, Damp location

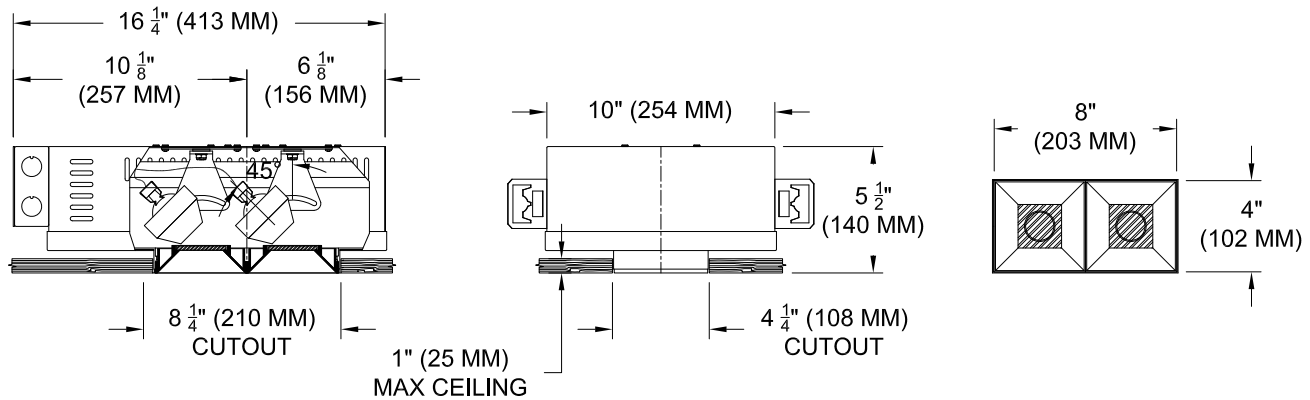
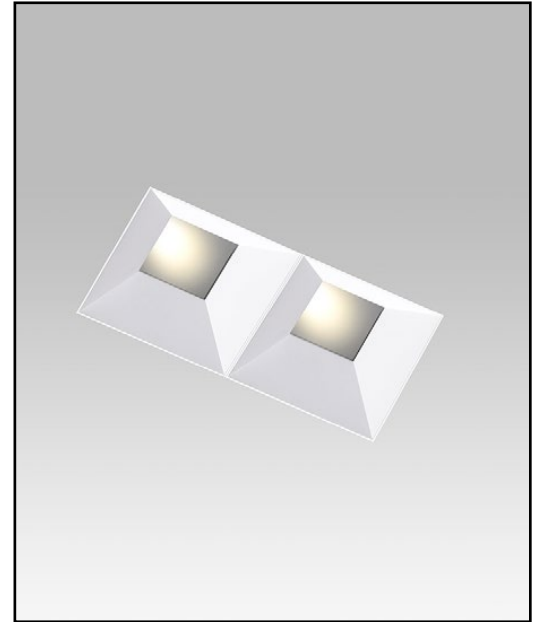
JOB: _____

SPECIFIER: _____

TYPE: _____

QUANTITY: _____

SIGNATURE: _____



ORDERING INFORMATION

MODEL	TRIM	TRANSFORMER	LENS HOLDER	LAMP LENS	TRIM FINISH	APERTURE LENS
1050-2MR16-SUH						
Shallow Universal Housing	ZT=Zero Trim	TX=Magnetic / 120v EX=Electronic / 220v EX2=2 cir. Elec/ 240v RX=Remote / 277v	CL=Conical FL=Flat IL=Indexed	90L = Clear 91L = Solite 92L = Supertex 93L = Frosted 97L = Black Hexcell 98L=UV	P14 = White BLK=Black PXX = SLI Color WXX = Wood XXXX = RAL # CST = Custom	Blank= None 91A = Solite 92A = Supertex 93A = Frosted 95A = Full Prismatic



Patent Pending.
These specifications subject to change without notice.

www.specialtylightingindustries.com
1306 Doris Avenue, Ocean, NJ 07712 USA
800.462.7812 732.517.0800 FAX:732.517.0971