

Twin lamp, low-voltage halogen recessed accent light with nominal 4" x 8" rectangular 2 cell aperture and flangeless trim. Accent and downlighting in low to medium ceiling heights typically found in commercial and retail applications. Suitable for new construction.

SPECIFICATIONS

HOUSING

- Precision die-formed heavy gauge aluminum
- ≈ Airtight construction suitable for direct contact with insulation

MOUNTING

- Install from below in sheetrock ceiling

ELECTRICAL

- Integral dimmable electronic or toroidal magnetic transformer
- 120v primary lead, (220v, 240v, 277v available), 11.75v secondary with overload protection / Remote transformer available

LAMP

- (2) MR-16, 50w max. supplied by others

SOCKET

- Precision die-formed aluminum yoke with CNC machined lampholder assembly
- G4/G6 ceramic socket with high temperature, teflon coated lead wires

LENS

- Clear pyrex safety lens. Optional borosilicate lenses available for lampholder and aperture


TRIM

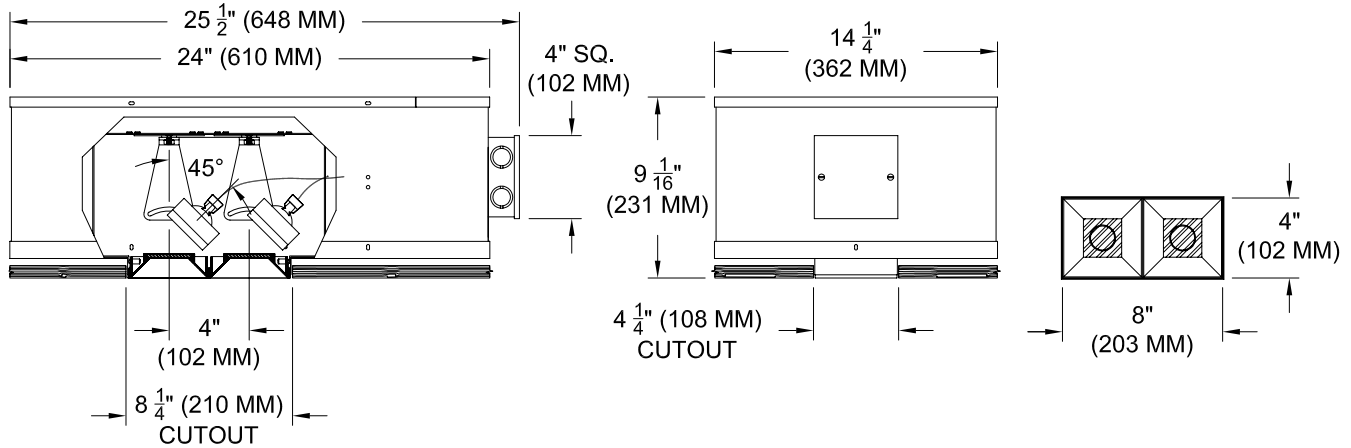
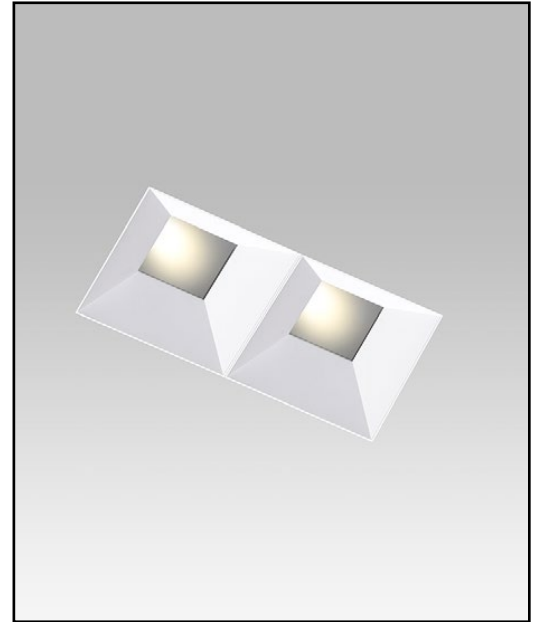
- Flangeless, two piece die-cast aluminum pyramidal shield

FINISH

- Black powder paint housing
- Aperture trim available in black and white as standard
- Solid wood, additional colors, RAL palette, custom finishes available

LABELS

-  US, US tested to UL standards 1598, Damp location, IC/Airtight,



ORDERING INFORMATION

| MODEL | TRIM | TRANSFORMER | LENS HOLDER | LAMP LENS | TRIM FINISH | APERTURE LENS |
|----------------------------|--------------|--|---|--|---|--|
| 1005-2MR16-AUH | ZT | / | | | | |
| Airtight Universal Housing | ZT=Zero Trim | TX=Magnetic / 120v* EX=Electronic / 220v EXS=Elect SORAA / 240v 2EX=Elect 2 Circuit / 277v 2EXS=Elect 2 Circuit SORAA RX=Remote *Standard 120v | CL=Conical FL=Flat IL=Indexed* *92L Only | 90L = Clear-Standard 91L = Solite 92L = Supertex 93L = Frosted 97L = Black Hexcell 98L = UV | P14 = White BLK=Black PXX = SLI Color WXX = Wood XXXX = RAL # CST = Custom | Blank= None 91A = Solite 92A = Supertex 93A = Frosted 95A = Full Prismatic |



Patent Pending.
These specifications subject to change without notice.

www.specialtylightingindustries.com
1306 Doris Avenue, Ocean, NJ 07712 USA
800.462.7812 732.517.0800 FAX:732.517.0971