

Dual lamp, solid state light engine, recessed accent light with nominal 4"x 8" (100mm x 200mm) rectangular 2 cell aperture and optional glass diffuser. Accent and downlighting in medium to high ceiling heights typically found in residential, commercial and retail applications. Suitable for new construction. AmbientDim™ provides Superior CRI at all dimming levels.

**JOB:** \_\_\_\_\_

**SPECIFIER:** \_\_\_\_\_

**TYPE:** \_\_\_\_\_

**QUANTITY:** \_\_\_\_\_

**SIGNATURE:** \_\_\_\_\_

## SPECIFICATIONS

### HOUSING

- Precision die-formed heavy gauge aluminum
- ≈ Airtight construction suitable for direct contact with insulation

### MOUNTING

- Recessed in architectural ceiling

### ELECTRICAL

- Integral dimmable electronic driver with internal short circuit protection

### LAMP

- (2) AmbientDim™ LED supplied with fixture

### SOCKET

- Precision aluminum yoke with CNC machined lampholder assembly

### LENS

- Interchangeable reflector provides multiple beam patterns
- Optional borosilicate lenses available for aperture



### TRIM

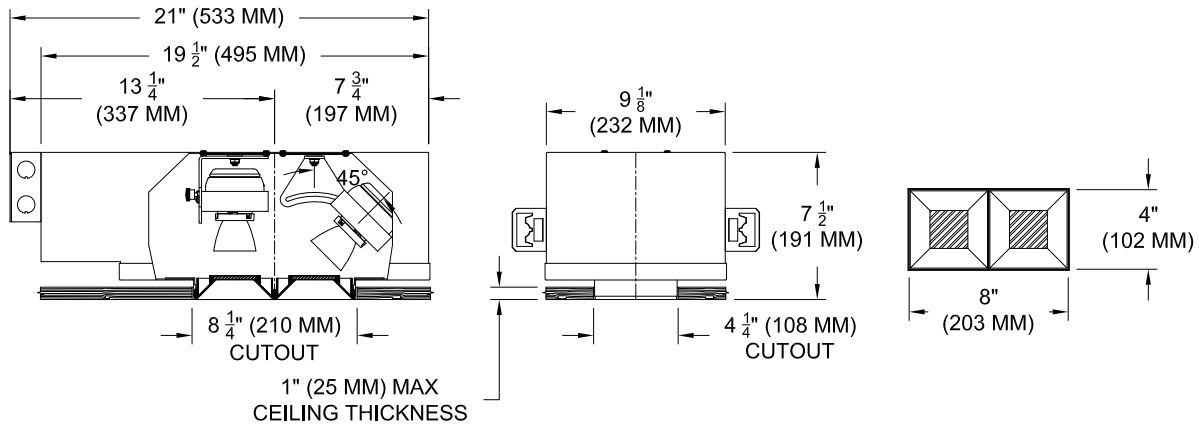
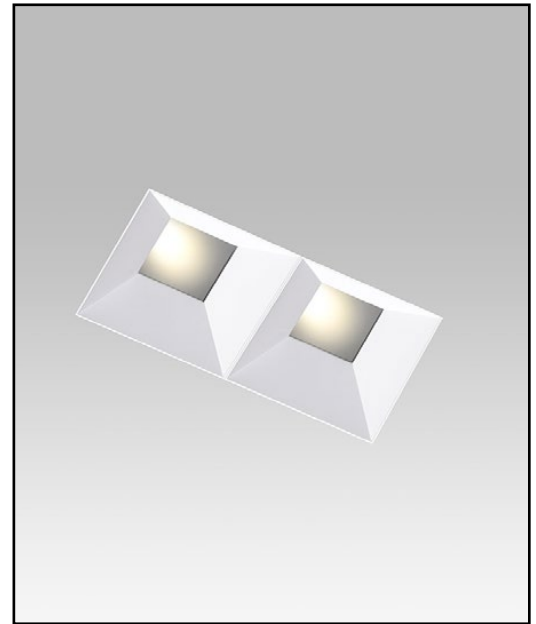
- Flangeless, two piece die-cast aluminum pyramidal shield

### FINISH

- Black powder paint housing
- Aperture trim available in black and white as standard
- Solid wood, additional colors, RAL palette, custom finishes available

### LABELS

-  , US tested to UL standards 1598, Damp location, Wet with ST trim, IC/Airtight, Chicago Plenum,  JA8 Approved



## ORDERING INFORMATION

SECTION

SECTION

REFLECTED PLAN VIEW

Hangar bars sold separately

1050-2LED-AD-AUH	TRIM	SOURCE / DRIVER	BEAMSPREAD	TRIM FINISH	APERTURE LENS	ACCESSORIES
		<b>AD14</b> /				
Airtight Universal Housing Ambient Dimming LED  *CCT Max 3000K-1900K	<b>ZT</b> =Zero Trim	<ul style="list-style-type: none"> <li>• <b>AD14</b>= 350ma, 14.5W, 1000lm</li> <li>• <b>C1</b> =0-10V dimming, 1%, 120-277v</li> <li>• <b>C2</b> =TRIAC/ELV 2-wire, 1% 120v (Lead/Trail Edge)</li> <li>• <b>E1</b> =EldoLED 0-10V Logarithmic Dim, 0.1%, 120-277v</li> <li>• <b>E2</b> =EldoLED DALI, 0.1%, 120-277v</li> <li>• <b>E3</b> =EldoLED 0-10V Linear Dim, 0.1%, 120-277v</li> <li>• <b>L2</b> =Lutron Hi-lume 1% 2-wire LED driver (120v forward phase)</li> <li>• <b>LTB</b> =Lutron Hi-lume 1% EcoSys LED driver, 1%, 120-277v, Soft-on, Fade-to-Black (LDE1)</li> <li>• <b>LTP</b> =Lutron Hi-lume Premier 0.1%, Fade-to-Black digital Ecosystem, 120-277v (PEQ0)</li> </ul>	<b>15</b> = 15 Degrees <b>24</b> = 24 Degrees <b>38</b> = 38 Degrees <b>60</b> = 60 Degrees	<b>P14</b> = White <b>BLK</b> = Black <b>PXX</b> = SLI Color <b>WXX</b> = Wood <b>XXXX</b> = RAL # <b>CST</b> = Custom	<b>Blank</b> = None <b>90A</b> = Clear <b>91A</b> = Solite <b>92A</b> = Supertex <b>93A</b> = Frosted	<b>CP</b> =Chicago Plenum

• California Title 24- JA8 Approved



www.specialtylightingindustries.com  
 1306 Doris Avenue, Ocean, NJ 07712 USA  
 800.462.7812 732.517.0800 FAX:732.517.0971

Patent Pending. These specifications subject to change without notice.