

Single lamp, solid state light engine, recessed accent light, nominal 6" (150mm) conical trim with 4" (100mm) aperture and optional glass diffuser. Accent and downlighting in medium to high ceiling heights typically found in residential, commercial and retail applications. Suitable for new construction. AmbientDim™ provides Superior CRI at all dimming levels.

JOB: _____
SPECIFIER: _____
TYPE: _____
QUANTITY: _____
SIGNATURE: _____

SPECIFICATIONS

HOUSING

- Precision die-formed heavy gauge aluminum

MOUNTING

- Recessed in architectural ceiling

ELECTRICAL

- Integral dimmable electronic driver with internal short circuit protection

LAMP

- AmbientDim™ LED supplied with fixture

SOCKET

- Precision aluminum yoke with CNC machined lampholder assembly

LENS

- Interchangeable reflector provides multiple beam patterns
- Optional borosilicate lenses available for aperture


TRIM

- Diecast conical shield with flanged or flangless ceiling collar
- ST is flanged trim fully sealed and gasketed. Aperture lens required

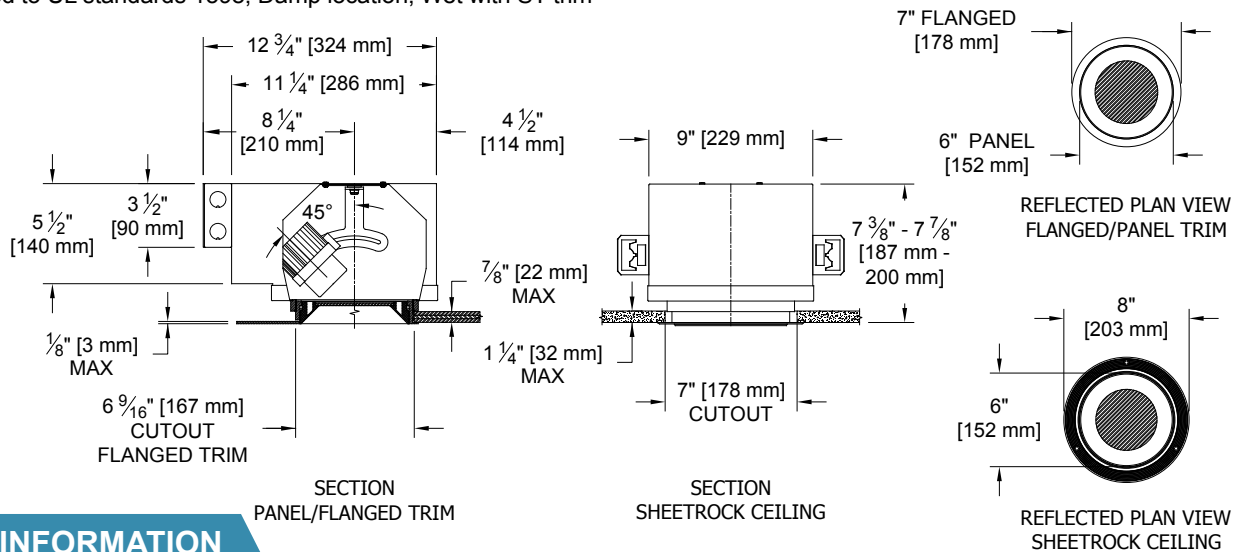
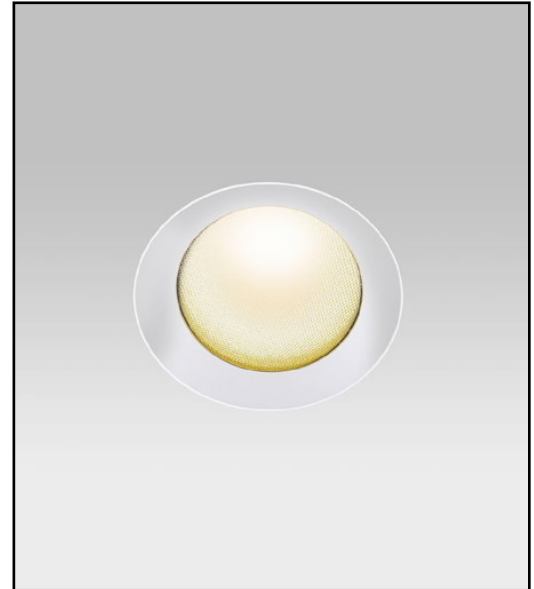
FINISH

- Black powder paint housing
- Aperture trim available in black and white as standard
- Solid wood, additional colors, RAL palette, custom finishes available

LABELS

-  , US tested to UL standards 1598, Damp location, Wet with ST trim

AmbientDim™



Hanger bars sold separately

ORDERING INFORMATION

| 1021-LED-AD-UH | TRIM | SOURCE / DRIVER | BEAMSPREAD | TRIM FINISH | APERTURE LENS |
|--|--|--|--|--|---|
| | | AD35 / | | | |
| Universal Housing Ambient Dimming LED | FT =Flanged Trim PT =Panel Trim** ST =Shower Trim* ZT =Zero Trim **WXX Only *Aperture lens required | AD35 =900ma, 35W, 2850lm C1 =0-10V dimming, 1%, 120-277v C2 =TRIAC/ELV 2-wire, 1% 120v (Lead/Trail Edge) E1 =EldoLED 0-10V Logarithmic Dim, 0.1%, 120-277v E2 =EldoLED DALI, 0.1%, 120-277v E3 =EldoLED 0-10V Linear Dim, 0.1%, 120-277v L2 =Lutron Hi-lume 1% 2-wire LED driver (120v forward phase) LTB =Lutron Hi-lume 1% EcoSys LED driver, 1%, 120-277v, Soft-on, Fade-to-Black LTP =Lutron Hi-lume Premier 0.1%, Fade-to-Black digital Ecosystem, 120-277v (PEQ0) | 15 = 15 Degrees 24 = 24 Degrees 38 = 38 Degrees 60 = 60 Degrees | P14 = White BLK =Black PXX = SLI Color WXX = Wood XXXX = RAL # CST = Custom | Blank = None 90A = Clear 91A = Solite 92A = Supertex 93A = Frosted |