

Dual lamp, low-voltage halogen, recessed accent light with nominal 4"x9" (100mm x 225mm) rectangular trim and 3"x8" (75mm x 200mm) glass diffuser. Accent and downlighting in low to medium ceiling heights typically found in residential, commercial and retail applications. Suitable for new construction.

**JOB:** \_\_\_\_\_

**SPECIFIER:** \_\_\_\_\_

**TYPE:** \_\_\_\_\_

**QUANTITY:** \_\_\_\_\_

**SIGNATURE:** \_\_\_\_\_

## SPECIFICATIONS

### HOUSING

- Precision die-formed heavy gauge aluminum with flangeless trim and integrated screed edge

### MOUNTING

- Recessed in architectural ceiling

### ELECTRICAL

- Integral dimmable electronic or toroidal magnetic transformer
- 120v primary lead, (220v, 240v, 277v available), 11.75v secondary with overload protection
- External thermoprotector

### LAMP

- (2) MR-16, 50w max. supplied by others

### SOCKET

- Precision die formed aluminum yoke with CNC machined lampholder assembly
- G4/G6 ceramic socket with high temperature, teflon coated lead wires

### LENS

- Clear pyrex safety lens
- Optional borosilicate lenses available for lampholder and aperture


### TRIM

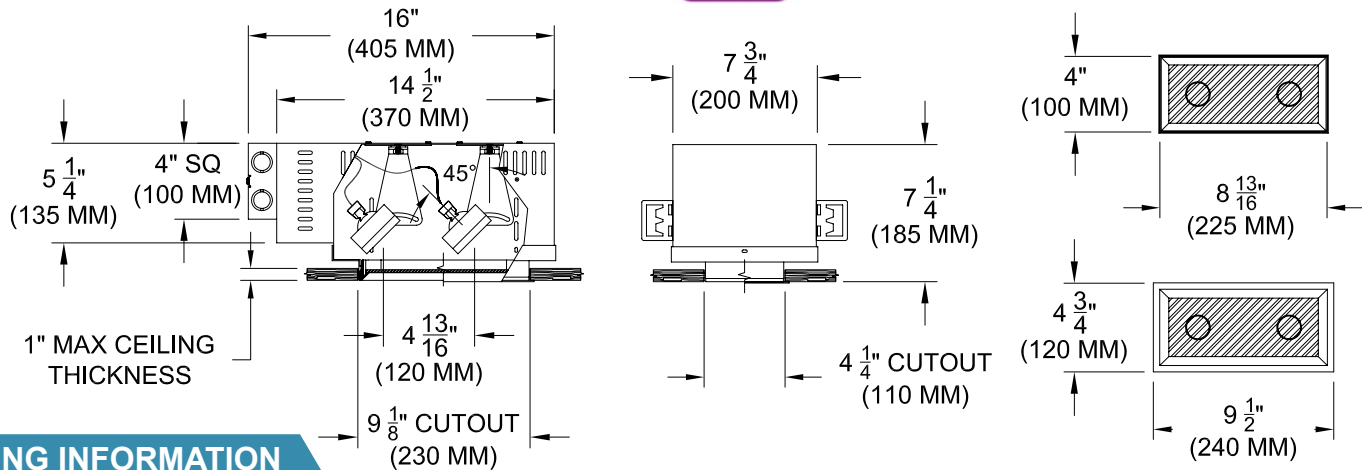
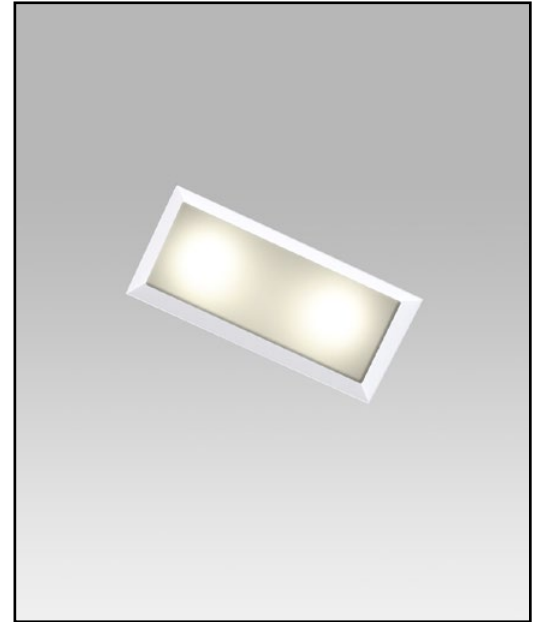
- Flanged or flangeless, one piece die-cast aluminum pyramidal shield
- ST trim fully sealed and gasketed.

### FINISH

- Black powder paint housing
- Aperture trim available in black and white as standard
- Solid wood, additional colors, RAL palette, custom finishes available

### LABELS

-  , US tested to UL standards 1598, Damp location, Wet with ST trim,



## ORDERING INFORMATION

MODEL	TRIM	TRANSFORMER	LENS HOLDER	LAMP LENS	FINISH	APERTURE LENS
1017-2MR16-UH						
Universal Housing	<b>FT</b> =Flanged Trim <b>PT</b> =Panel Trim** <b>ST</b> =Shower Trim* <b>ZT</b> =Zero Trim **WXX Only *Aperture lens required	<b>TX</b> =Magnetic / 120v <b>EX</b> =Electronic / 220v <b>EXS</b> =Elect. SORAA* <b>RX</b> =Remote / 240v <b>2EX</b> =2 Circ. Elec. / 277v *Standard 120v	<b>CL</b> =Conical <b>FL</b> =Flat <b>IL</b> =Indexed* *92L Only	<b>90L</b> = Clear-Standard <b>91L</b> = Solite <b>92L</b> = Supertex <b>93L</b> = Frosted <b>97L</b> = Black Hexcell <b>98L</b> = UV	<b>P14</b> = White <b>BLK</b> =Black <b>PXX</b> = SLI Color <b>WXX</b> = Wood <b>XXXX</b> = RAL # <b>CST</b> = Custom	<b>Blank</b> = None <b>91A</b> = Solite <b>92A</b> = Supertex <b>93A</b> = Frosted <b>95A</b> = Full Prismatic



Patent Pending.  
 These specifications subject to change without notice.

**www.specialtylightingindustries.com**  
 1306 Doris Avenue, Ocean, NJ 07712 USA  
 800.462.7812 732.517.0800 FAX:732.517.0971