

Triple lamp, solid state light engine, recessed accent light with nominal 4"x 9" (100mm x 225mm) rectangular trim and optional glass diffuser. Accent and downlighting in medium to high ceiling heights typically found in residential, commercial and retail applications. Suitable for new construction. AmbientDim™ provides Superior CRI at all dimming levels.

**JOB:** \_\_\_\_\_  
**SPECIFIER:** \_\_\_\_\_  
**TYPE:** \_\_\_\_\_  
**QUANTITY:** \_\_\_\_\_  
**SIGNATURE:** \_\_\_\_\_

**SPECIFICATIONS**

**HOUSING**

- Precision die-formed heavy gauge aluminum

**MOUNTING**

- Recessed in architectural ceiling

**ELECTRICAL**

- Integral dimmable electronic driver with internal short circuit protection

**LAMP**

- (2) AmbientDim™ LEDs supplied with fixture

**SOCKET**

- Precision die-formed aluminum yoke with CNC machined lampholder assembly

**LENS**

- Clear pyrex safety lens
- Optional borosilicate lenses available for lampholder and aperture


**TRIM**

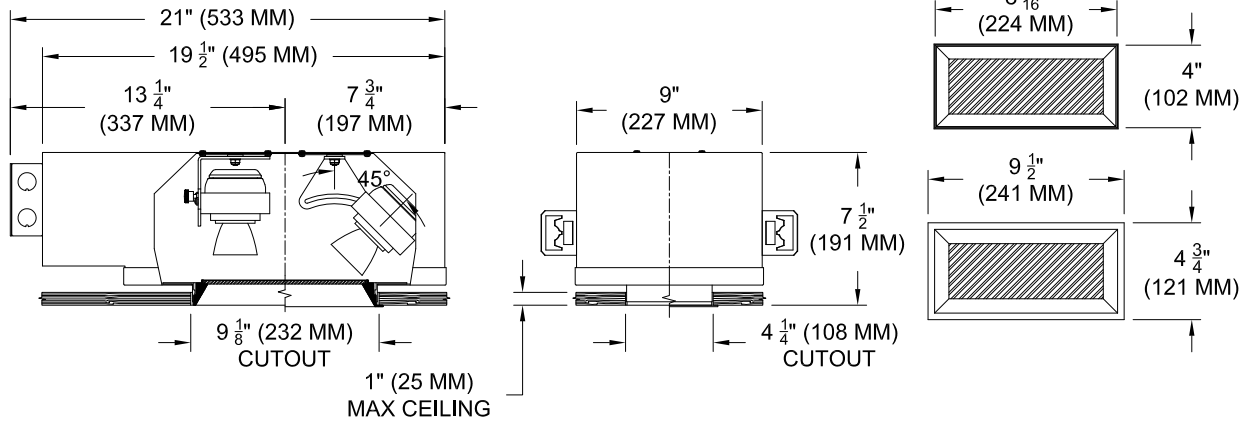
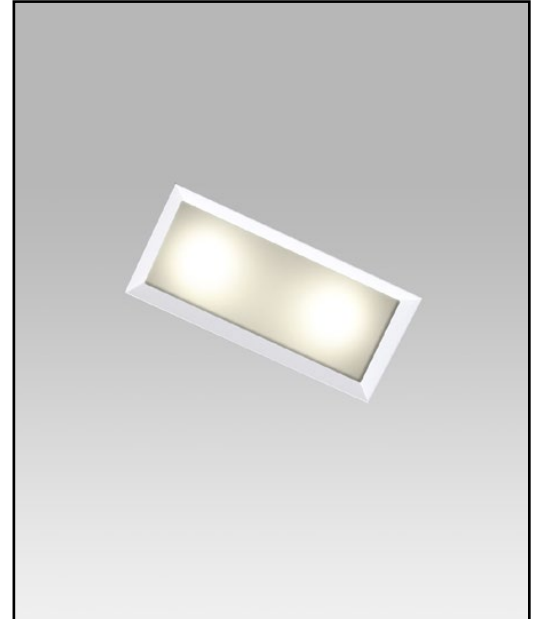
- Flanged or flangeless, one piece die-cast aluminum pyramidal shield
- ST is flanged trim fully sealed and gasketed. Aperture lens required

**FINISH**

- Black powder paint housing
- Aperture trim available in black and white as standard
- Solid wood, additional colors, RAL palette, custom finishes available

**LABELS**

-  US tested to UL standards 1598, Damp location, Wet with ST trim



**ORDERING INFORMATION**

SECTION

SECTION

REFLECTED PLAN VIEW

Hanger bars sold separately

1017-2LED-AD-UH	TRIM	SOURCE / DRIVER	BEAMSPREAD	TRIM FINISH	APERTURE LENS
		<b>AD14</b> /			
Universal Housing Ambient Dimming LED *CCT Max 3000K-1900K	<b>FT</b> =Flanged Trim <b>PT</b> =Panel Trim** <b>ST</b> =Shower Trim* <b>ZT</b> =Zero Trim **WXX Only *Aperture lens required	<b>AD14</b> =350ma, 14.5W, 1000lm <b>C1</b> =0-10V dimming, 1%, 120-277v <b>C2</b> =TRIAC/ELV 2-wire, 1% 120v (Lead/Trail Edge) <b>E1</b> =EldoLED 0-10V Logarithmic Dim, 0.1%, 120-277v <b>E2</b> =EldoLED DALI, 0.1%, 120-277v <b>E3</b> =EldoLED 0-10V Linear Dim, 0.1%, 120-277v <b>L2</b> =Lutron Hi-lume 1% 2-wr LED driver (120v forward phase) <b>LTB</b> =Lutron Hi-lume 1% EcoSys LED driver, 1%, 120-277v, Soft-on, Fade-to-Black <b>LTP</b> =Lutron Hi-lume Premier 0.1%, Fade-to-Black digital Ecosystem, 120-277v (PEQ0)	<b>15</b> = 15 Degrees <b>24</b> = 24 Degrees <b>38</b> = 38 Degrees <b>60</b> = 60 Degrees	<b>P14</b> = White <b>BLK</b> =Black <b>PXX</b> = SLI Color <b>WXX</b> = Wood <b>XXXX</b> = RAL # <b>CST</b> = Custom	<b>Blank</b> = None <b>90A</b> = Clear <b>91A</b> = Solite <b>92A</b> = Supertex <b>93A</b> = Frosted



www.specialtylightingindustries.com  
 1306 Doris Avenue, Ocean, NJ 07712 USA  
 800.462.7812 732.517.0800 FAX:732.517.0971

Patent Pending. These specifications subject to change without notice.