

Single lamp, solid state light engine, recessed accent light, nominal 4" (100mm) diameter trim with 3" (75mm) aperture and optional glass diffuser. Accent and downlighting in medium to high ceiling heights typically found in residential, commercial and retail applications. Suitable for new construction.

## SPECIFICATIONS

### HOUSING

- Precision die-formed heavy gauge aluminum
- ≈ Airtight construction suitable for direct contact with insulation

### MOUNTING

- Recessed in architectural ceiling

### ELECTRICAL

- Integral dimmable electronic driver with internal short circuit protection

### LAMP

- Lumenetix LED supplied with fixture

### SOCKET

- Precision aluminum yoke with CNC machined lampholder assembly

### LENS

- Interchangeable reflector provides multiple beam patterns
- Optional borosilicate lenses available for aperture


### TRIM

- Flanged or flangeless, one-piece die-cast conical shield
- ST is flanged trim fully sealed and gasketed. Aperture lens required

### FINISH

- Black powder paint housing / Aperture trim available in black and white as standard
- Solid wood, additional colors, RAL palette, custom finishes

### LABELS

-  , US tested to UL standards 1598, Damp location, Wet with ST trim, IC/Airtight, Chicago Plenum

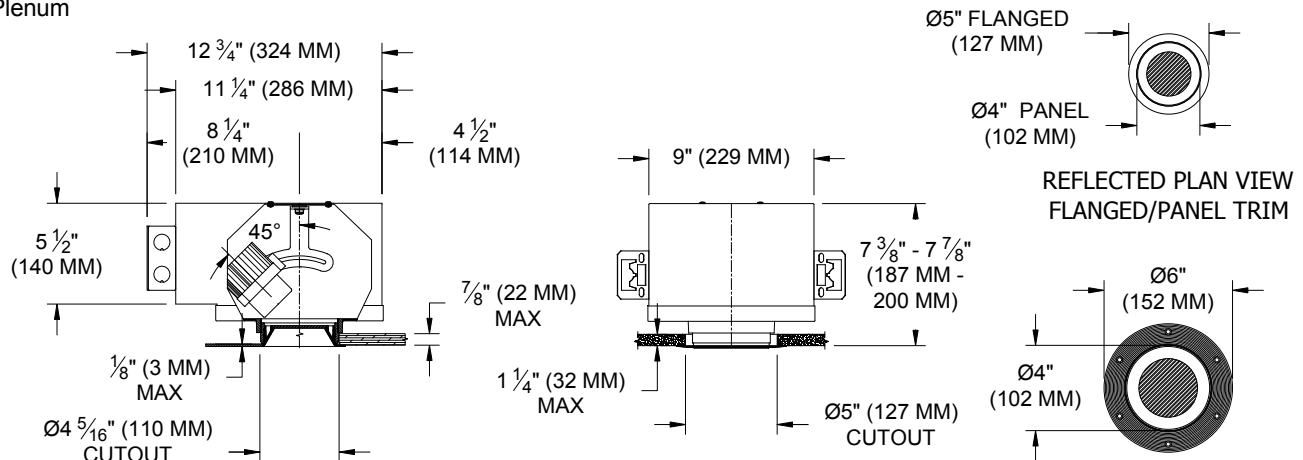
**JOB:** \_\_\_\_\_

**SPECIFIER:** \_\_\_\_\_

**TYPE:** \_\_\_\_\_

**QUANTITY:** \_\_\_\_\_

**SIGNATURE:** \_\_\_\_\_



## ORDERING INFORMATION

1016-LED-LUMX-AUH	TRIM	DRIVER	BEAMSPREAD	TRIM FINISH	APERTURE LENS	ACCESSORIES
Airtight Universal Housing  Lumenetix 1800-6500K	FT=Flanged Trim PT=Panel Trim** ST=Shower Trim* ZT=Zero Trim **WXX Only *Aperture lens required	S1 =0-10V 1% dimming DALI =1% dimming DMX =1% dimming L3 = EcoSystem 1% dimming	20 = 20 Degrees 30 = 30 Degrees 40 = 40 Degrees	P14 = White BLK=Black PXX = SLI Color WXX = Wood XXXX = RAL # CST = Custom	Blank= None 90A = Clear 91A = Solite 92A = Supertex 93A = Frosted	CP=Chicago Plenum