

Single lamp, solid state light engine, recessed accent light, nominal 4" (100mm) diameter trim with 3" (75mm) aperture and optional glass diffuser. Accent and down-lighting in medium to high ceiling heights typically found in residential, commercial and retail applications. Suitable for new or existing construction found in sheetrock ceilings. AmbientDim™ provides Superior CRI at all dimming levels.

## SPECIFICATIONS

### HOUSING

- Precision die-formed heavy gauge aluminum

### MOUNTING

- Install from below in sheetrock ceiling

### ELECTRICAL

- Integral dimmable electronic driver with internal short circuit protection

### LAMP

- AmbientDim™ LED supplied with fixture

### SOCKET

- Precision aluminum yoke with CNC machined lampholder assembly

### LENS

- Interchangeable reflector provides multiple beam patterns
- Optional borosilicate lenses available for aperture


### TRIM

- Flanged or flangeless, one piece die-cast aluminum pyramidal shield
- ST is flanged trim fully sealed and gasketed. Aperture lens required

### FINISH

- Black powder paint housing
- Aperture trim available in black and white as standard
- Solid wood, additional colors, RAL palette, custom finishes available

### LABELS

-  US, US tested to UL standards 1598, Damp location, Wet with ST trim

**JOB:** \_\_\_\_\_

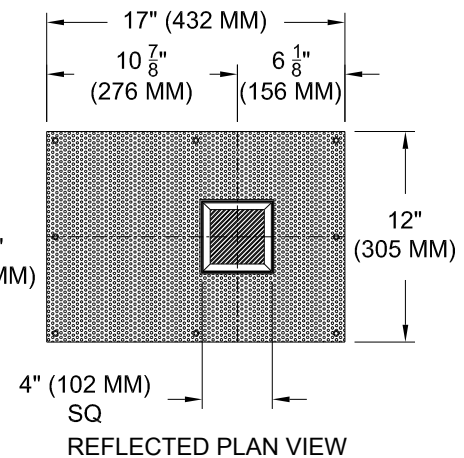
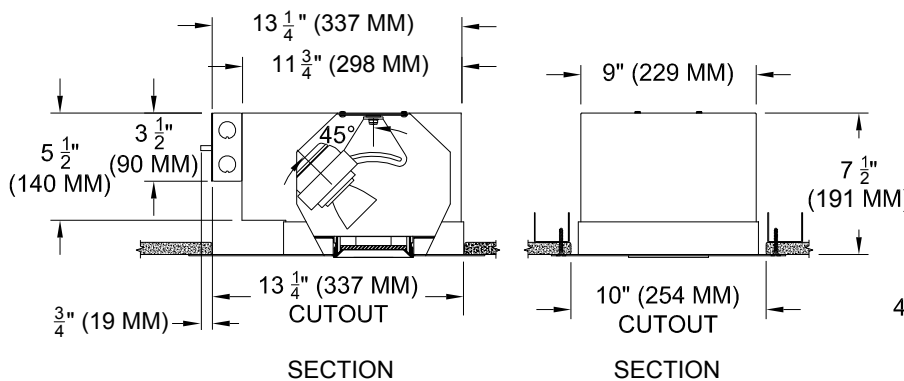
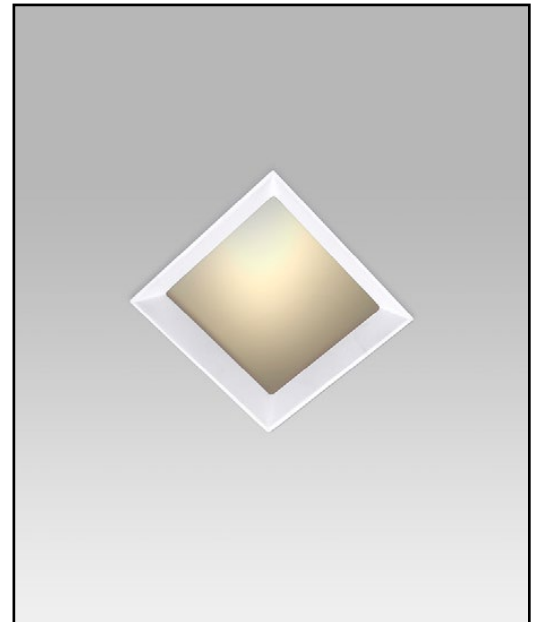
**SPECIFIER:** \_\_\_\_\_

**TYPE:** \_\_\_\_\_

**QUANTITY:** \_\_\_\_\_

**SIGNATURE:** \_\_\_\_\_

 AmbientDim™



## ORDERING INFORMATION

1014-LED-AD-PH	TRIM	SOURCE / DRIVER	BEAMSPREAD	TRIM FINISH	APERTURE LENS
		<b>AD14</b> /			
Plaster Housing Ambient Dimming LED  *CCT Max 3000K-1900K	<b>FT</b> =Flanged Trim <b>ST</b> =Shower Trim* <b>ZT</b> =Zero Trim  *Aperture lens required	<b>AD14</b> = 350ma, 14.5W, 1000lm  <b>C1</b> =0-10V dimming, 1%, 120-277v <b>C2</b> =TRIAC/ELV 2-wire, 1% 120v (Lead/Trail Edge) <b>E1</b> =EldoLED 0-10V Logarithmic Dim, 0.1%, 120-277v <b>E2</b> =EldoLED DALI, 0.1%, 120-277v <b>E3</b> =EldoLED 0-10V Linear Dim, 0.1%, 120-277v <b>L2</b> =Lutron Hi-lume 1% 2-wr LED driver (120v forward phase) <b>LTB</b> =Lutron Hi-lume 1% EcoSys LED driver, 1%, 120-277v, Soft-on, Fade-to-Black <b>LTP</b> =Lutron Hi-lume Premier 0.1%, Fade-to-Black digital Ecosystem, 120-277v (PEQQ)	<b>15</b> = 15 Degrees <b>24</b> = 24 Degrees <b>38</b> = 38 Degrees <b>60</b> = 60 Degrees	<b>P14</b> = White <b>BLK</b> =Black <b>PXX</b> = SLI Color <b>WXX</b> = Wood <b>XXXX</b> = RAL # <b>CST</b> = Custom	<b>Blank</b> = None <b>90A</b> = Clear <b>91A</b> = Solite <b>92A</b> = Supertex <b>93A</b> = Frosted