

Single lamp, solid state light engine, recessed accent light, nominal 4" (100mm) diameter trim with 3" (75mm) aperture and optional glass diffuser. Accent and down-lighting in medium to high ceiling heights typically found in residential, commercial and retail applications. Suitable for new or existing construction found in sheetrock ceilings. AmbientDim™ provides Superior CRI at all dimming levels.

**JOB:** \_\_\_\_\_  
**SPECIFIER:** \_\_\_\_\_  
**TYPE:** \_\_\_\_\_  
**QUANTITY:** \_\_\_\_\_  
**SIGNATURE:** \_\_\_\_\_

**SPECIFICATIONS**

**HOUSING**

- Precision die-formed heavy gauge aluminum
- ≈ Airtight construction suitable for direct contact with insulation

**MOUNTING**

- Install from below in sheetrock ceiling

**ELECTRICAL**

- Integral dimmable electronic driver with internal short circuit protection

**LAMP**

- AmbientDim™ LED supplied with fixture

**SOCKET**

- Precision aluminum yoke with CNC machined lampholder assembly

**LENS**

- Interchangeable reflector provides multiple beam patterns
- Optional borosilicate lenses available for aperture



**TRIM**

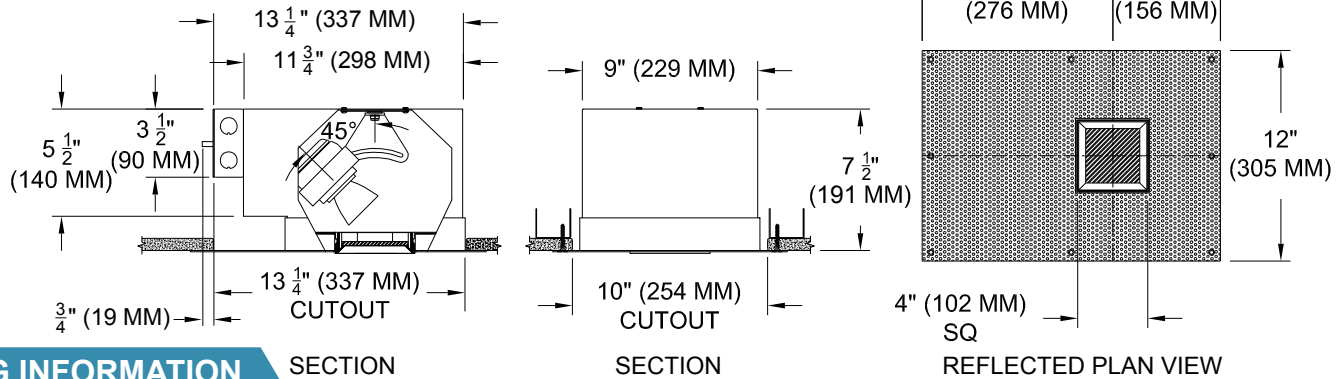
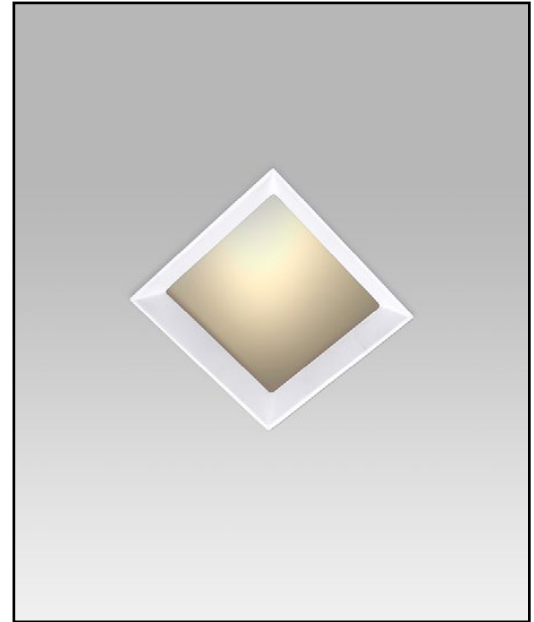
- Flanged or flangeless, one piece die-cast aluminum pyramidal shield
- ST is flanged trim fully sealed and gasketed. Aperture lens required

**FINISH**

- Black powder paint housing
- Aperture trim available in black and white as standard
- Solid wood, additional colors, RAL palette, custom finishes

**LABELS**

-  , US tested to UL standards 1598, Damp location, Wet with ST trim, IC/Airtight, Chicago Plenum,  JA8 Approved



**ORDERING INFORMATION**

1014-LED-AD-APH	TRIM	SOURCE / DRIVER	BEAMSPREAD	TRIM FINISH	APERTURE LENS	ACCESSORIES
		AD14 /				
Airtight Plaster Housing Ambient Dimming LED  *CCT Max 3000K-1900K	FT=Flanged Trim ST=Shower Trim* ZT=Zero Trim  *Aperture lens required	<ul style="list-style-type: none"> <li>• AD14= 350ma, 14.5W, 1000lm</li> <li>• C1 =0-10V dimming, 1%, 120-277v</li> <li>• C2 =TRIAC/ELV 2-wire, 1% 120v (Lead/Trail Edge)</li> <li>• E1 =EldoLED 0-10V Logarithmic Dim, 0.1%, 120-277v</li> <li>• E2 =EldoLED DALI, 0.1%, 120-277v</li> <li>• E3 =EldoLED 0-10V Linear Dim, 0.1%, 120-277v</li> <li>• L2 =Ltrn Hi-lume 1% 2-wire LED driver (120v forward phase)</li> <li>• LTB =Lutron Hi-lume 1% EcoSys LED driver, 1%, 120-277v, Soft-on, Fade-to-Black</li> <li>• LTP =Lutron Hi-lume Premier 0.1%, Fade-to-Black digital Ecosystem, 120-277v (PEQ0)</li> </ul>	15 = 15 Degrees 24 = 24 Degrees 38 = 38 Degrees 60 = 60 Degrees	P14 = White BLK=Black PXX = SLI Color WXX = Wood XXXX = RAL # CST = Custom	Blank= None 90A = Clear 91A = Solite 92A = Supertex 93A = Frosted	CP=Chicago Plenum

• California Title 24- JA8 Approved



www.specialtylightingindustries.com  
 1306 Doris Avenue, Ocean, NJ 07712 USA  
 800.462.7812 732.517.0800 FAX:732.517.0971

Patent Pending. These specifications subject to change without notice.