

Triple lamp, low-voltage halogen, recessed accent light with nominal 4"x 13.5" rectilinear aperture beveled trim and 3" glass diffuser. Accent and downlighting in low to medium ceiling heights typically found in residential, commercial and retail applications. Suitable for new construction. Zero trim can be used with in solid surface ceilings such as wood, stone, metal panel or glass.

JOB: _____
SPECIFIER: _____
TYPE: _____
QUANTITY: _____
SIGNATURE: _____

SPECIFICATIONS

HOUSING

- Precision die-formed heavy gauge aluminum with extruded ceiling collar

MOUNTING

- Recessed in architectural ceiling

ELECTRICAL

- Integral dimmable electronic or torroidal magnetic transformer
- 120v primary lead, (220v, 240v, 277v available), 11.75v secondary with overload protection / External thermoprotector

LAMP

- (3) MR-16, 50w max. supplied by others

SOCKET

- Precision die-formed aluminum yoke with CNC machined lampholder assembly
- G4/G6 ceramic socket with high temperature, teflon coated lead wires

LENS

- Clear pyrex safety lens. Optional borosilicate lenses available for lampholder and aperture

TRIM

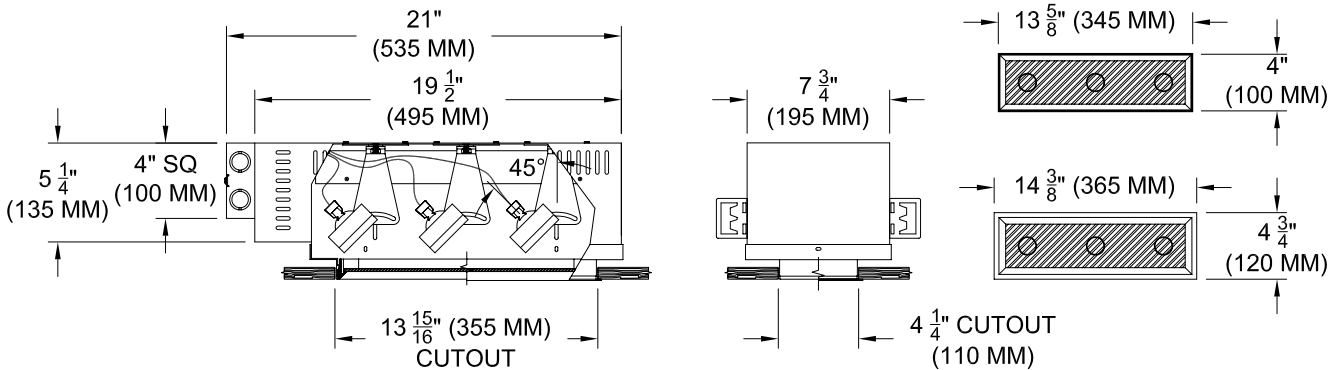
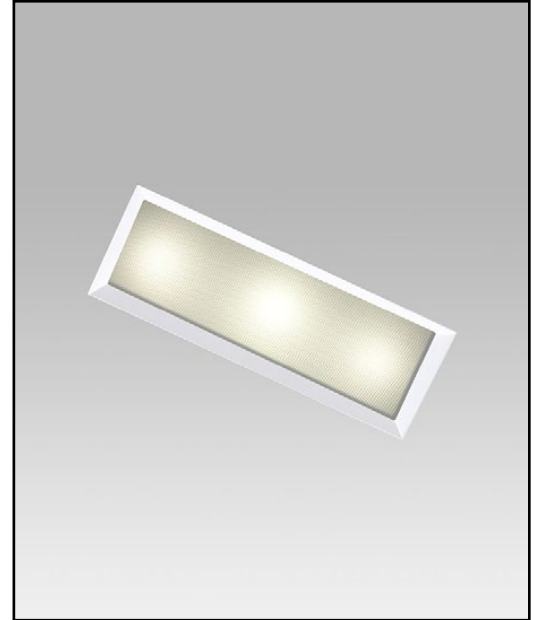
- Flanged or flangeless, one piece die-cast aluminum regressed trim with 3" lensed aperture

FINISH

- Black powder paint housing
- Aperture trim available in black and white as standard
- Solid wood, additional colors, RAL palette, custom finishes available

LABELS

- UL, C-UL, Damp location



ORDERING INFORMATION

MODEL	TRIM	TRANSFORMER	LENS HOLDER	LAMP LENS	FINISH	APERTURE LENS
1014-3MR16-UH						
Universal Housing	FT =Flanged Trim ST =Shower Trim* ZT =Zero Trim *Aperture lens req.	TX =Magnetic / 120v EX =Electronic / 220v EX2 =2 cir. Elec / 240v RX =Remote / 277v	CL =Conical FL =Flat IL =Indexed	90L = Clear 91L = Solite 92L = Supertex 93L = Frosted 97L = Black Hexcell 98L = UV	P14 = White BLK =Black PXX = SLI Color WXX = Wood XXXX = RAL # CST = Custom	Blank = None 91A = Solite 92A = Supertex 93A = Frosted 95A = Full Prismatic



Patent Pending.
 These specifications subject to change without notice.

www.specialtylightingindustries.com
 1306 Doris Avenue, Ocean, NJ 07712 USA
 800.462.7812 732.517.0800 FAX:732.517.0971