

Single lamp, solid state light engine, recessed accent light, nominal 4" (100mm) square trim with 2" (50mm) square aperture and optional glass diffuser. Accent and down-lighting in medium to high ceiling heights typically found in residential, commercial and retail applications. Suitable for new or existing construction in sheetrock ceilings.

## SPECIFICATIONS

### HOUSING

- Precision die-formed heavy gauge aluminum
- ∞ Airtight construction suitable for direct contact with insulation

### MOUNTING

- Install from below in sheetrock ceiling

### ELECTRICAL

- Integral dimmable electronic driver with internal short circuit protection

### LAMP

- Citizen LED supplied with fixture

### SOCKET

- Precision aluminum yoke with CNC machined lampholder assembly

### LENS

- Interchangeable reflector provides multiple beam patterns
- Optional borosilicate lenses available for aperture



### TRIM

- Flanged or flangeless 1 piece die-cast aluminum square plate with 2" square aperture
- ST is flanged trim fully sealed and gasketed. Aperture lens required

### FINISH

- Black powder paint housing
- Aperture trim available in black and white as standard
- Solid wood, additional colors, RAL palette, custom finishes

### LABELS

-  , US tested to UL standards 1598, Damp location, Wet with ST trim, IC/Airtight, Chicago Plenum,  JA8 Approved

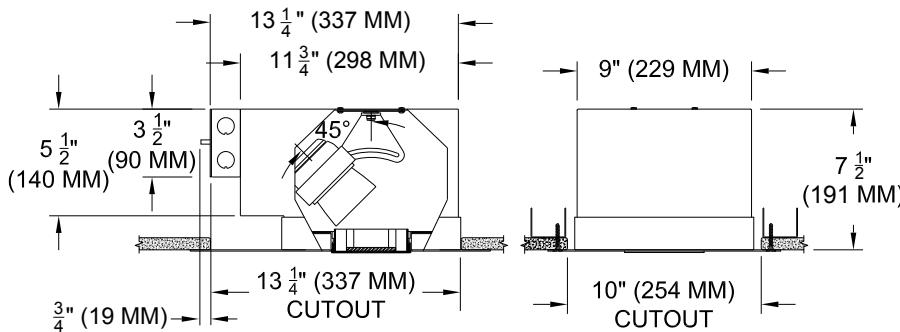
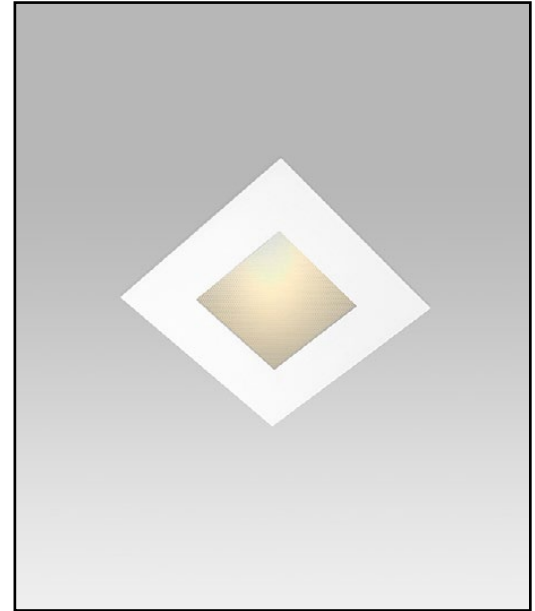
**JOB:** \_\_\_\_\_

**SPECIFIER:** \_\_\_\_\_

**TYPE:** \_\_\_\_\_

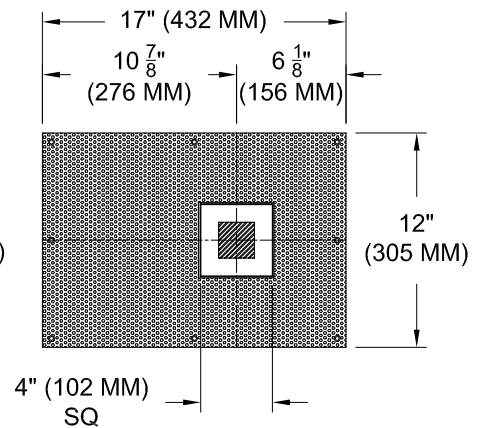
**QUANTITY:** \_\_\_\_\_

**SIGNATURE:** \_\_\_\_\_



SECTION

SECTION



REFLECTED PLAN VIEW

## ORDERING INFORMATION

1012-LEDZ-APH	TRIM	SOURCE / DRIVER	BEAMSPREAD	TRIM FINISH	APERTURE LENS	ACCESSORIES
		/				
Airtight Plaster Housing <b>9</b> = 90+CRI • <b>27</b> = 2700K • <b>30</b> = 3000K • <b>35</b> = 3500K • <b>40</b> = 4000K	<b>FT</b> =Flanged Trim <b>ST</b> =Shower Trim* <b>ZT</b> =Zero Trim *Aperture lens required	• <b>CZ14</b> =120-277v, 14W 1100lm • <b>CZ20</b> =120-277v, 20W 2265lm • <b>CZ28</b> =120-277v, 28W 3000lm • <b>C1</b> =0-10V dimming, 1%, 120-277v • <b>C2</b> =TRIAC/ELV 2-wire, 1% 120v (Lead/Trail Edge) • <b>E1</b> =EldoLED 0-10V Logarithmic Dim, 0.1%, 120-277v • <b>E2</b> =EldoLED DALI, 0.1%, 120-277v • <b>E3</b> =EldoLED 0-10V Linear Dim, 0.1%, 120-277v • <b>L2</b> =Ltrn Hi-lume 1% 2-wr LED driver (120v fwd phase) • <b>LTB</b> =Lutron Hi-lume 1% EcoSys LED driver, 1%, 120-277v, Soft-on, Fade-to-Black • <b>LTP</b> =Lutron Hi-lume Premier 0.1%, Fade-to-Black digital Ecosystem, 120-277v (PEQ0)	<b>15</b> = 15 Degrees <b>24</b> = 24 Degrees <b>38</b> = 38 Degrees <b>60</b> = 60 Degrees	<b>P14</b> = White <b>BLK</b> =Black <b>PXX</b> = SLI Color <b>WXX</b> = Wood <b>XXXX</b> = RAL # <b>CST</b> = Custom	<b>Blank</b> = None <b>90A</b> = Clear <b>91A</b> = Solite <b>92A</b> = Supertex <b>93A</b> = Frosted	<b>CP</b> =Chicago Plenum

• California Title 24- JA8 Approved



[www.specialtylightingindustries.com](http://www.specialtylightingindustries.com)  
 1306 Doris Avenue, Ocean, NJ 07712 USA  
 800.462.7812 732.517.0800 FAX:732.517.0971

Patent Pending. These specifications subject to change without notice.