

Single lamp, low-voltage halogen, recessed accent light with nominal 4" square aperture glass diffuser and flangless beveled trim. Suitable for install from below applications.

TYPE: \_\_\_\_\_  
 JOB: \_\_\_\_\_  
 \_\_\_\_\_

**SPECIFICATIONS**

**HOUSING** - Extruded aluminum with heat dissipating ceiling interface. Upper housing and junction box of precision die-formed heavy gauge aluminum.

**MOUNTING** - Recessed in sheetrock ceiling.

**ELECTRICAL** - Integral dimmable electronic transformer. 120v primary lead, (220v, 240v, 277v available), 11.75v secondary with overload protection. External thermoprotector. Remote transformer available.

**LAMP** - MR-16, 50w max. supplied by others.

**SOCKET** - Precision die formed aluminum socket plate. G4/G6 ceramic socket with high temperature, teflon coated lead wires.

**LENS** - Solite borosilicate glass. Others available consult factory

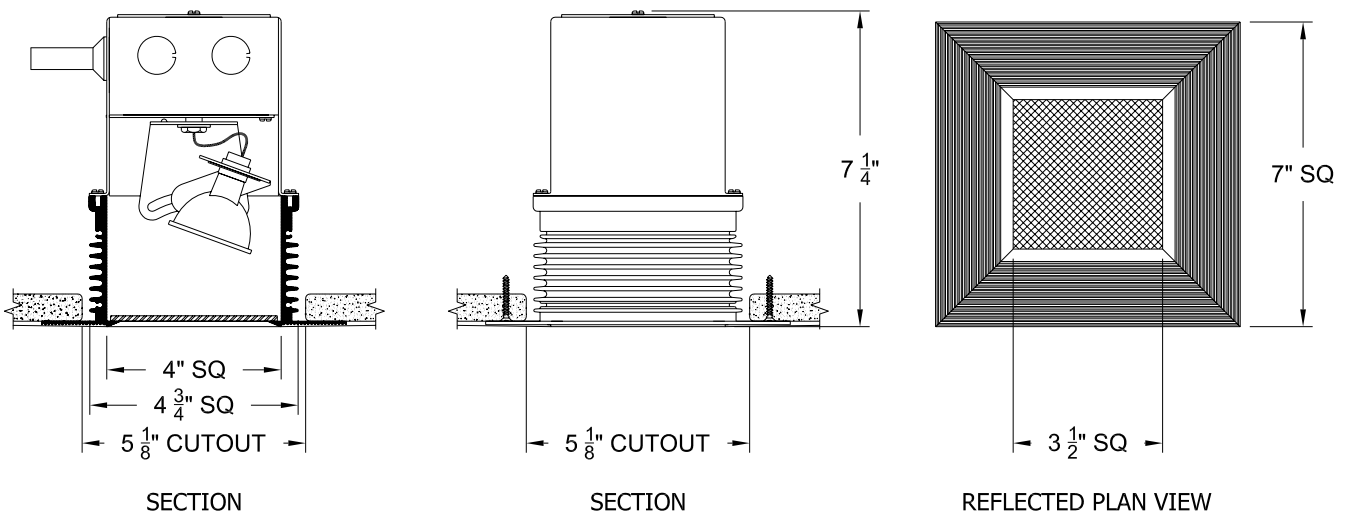
**TRIM** - Flangless regressed trim integral to housing.

**FINISH** - Powder paint on all surfaces available in black white or RAL colors as standard. Consult factory for custom finishes.

**LABELS** - UL, C-UL

**APPLICATIONS**

The diffusing lens obscures the source without substantially altering the beam pattern. An alternative to low brightness accent lighting in retail, residential, or commercial applications where a different appearance is desired.



**ORDERING INFORMATION**

HOUSING	TRANSFORMER	TRIM FINISH	APERTURE LENS
<b>1010-MR16-PH</b>			
Plaster housing	<b>EX</b> = Electronic Transformer <b>RX</b> = Remote Transformer	<b>WHT</b> = White <b>BLK</b> = Black <b>XXXX</b> = RAL # <b>CST</b> = Custom (supply chip)	<b>91A</b> = Solite <b>92A</b> = Supertex <b>93A</b> = Sandblasted <b>95A</b> = Full Prismatic



**SPECIALTY LIGHTING INDUSTRIES, INC.**

NOTE: These specifications subject to change without notice.

[www.specialtylightingindustries.com](http://www.specialtylightingindustries.com)

1306 DORIS AVENUE, OCEAN, NJ 07712 USA 800.462.7812 732.517.0800 FAX 732.517.0971 © 2006