

Dual lamp, low-voltage halogen, recessed accent light with nominal 4"x8" rectangular aperture glass diffuser and flangless beveled trim. Suitable for install from below applications.

TYPE: _____
 JOB: _____

SPECIFICATIONS

HOUSING - Extruded aluminum with heat dissipating ceiling interface. Upper housing and junction box of precision die-formed heavy gauge aluminum.

MOUNTING - Recessed in sheetrock ceiling.

ELECTRICAL - Integral dimmable electronic transformer. 120v primary lead, (220v, 240v, 277v available), 11.75v secondary with overload protection. External thermoprotector. Remote transformer available.

LAMP - (2) MR-16, 50w max. supplied by others.

LABELS - UL, C-UL

SOCKET - Precision die formed aluminum socket plate. G4/G6 ceramic socket with high temperature, teflon coated lead wires.

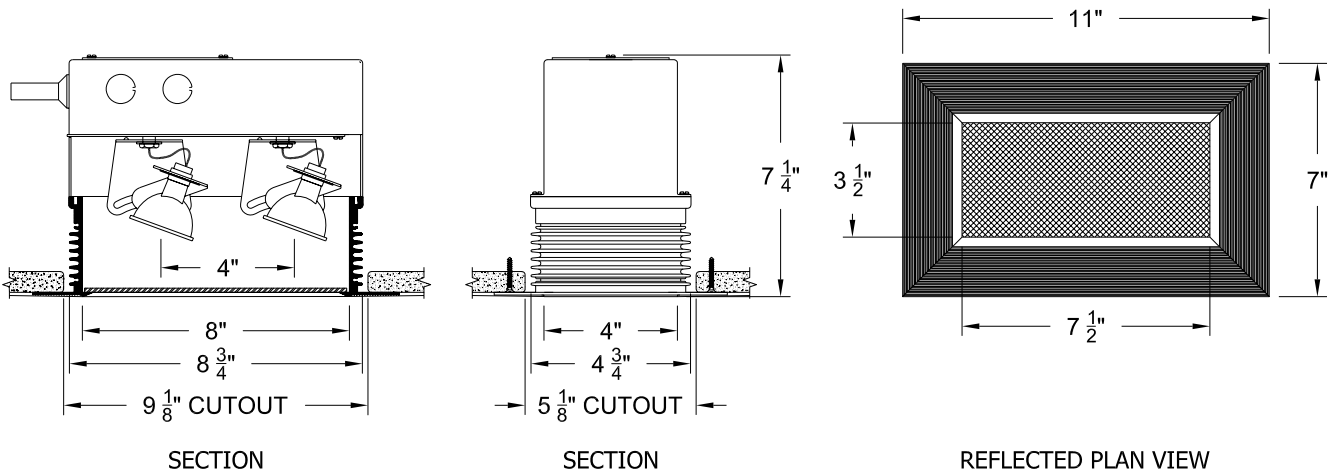
LENS - Solite borosilicate glass. Others available consult factory

TRIM - Flangless regressed trim integral to housing.

FINISH - Powder paint on all surfaces available in black white or RAL colors as standard. Consult factory for custom finishes.

APPLICATIONS

The diffusing lens obscures the source without substantially altering the beam pattern. An alternative to low brightness accent lighting in retail, residential, or commercial applications where a different appearance is desired.



ORDERING INFORMATION

HOUSING	TRANSFORMER	TRIM FINISH	APERTURE LENS
1010-2MR16-PH			
Plaster housing	EX = Electronic Transformer RX = Remote Transformer	WHT = White BLK = Black XXXX = RAL # CST = Custom (supply chip)	91A = Solite 92A = Supertex 93A = Sandblasted 95A = Full Prismatic



**SPECIALTY LIGHTING
 INDUSTRIES, INC.**

NOTE: These specifications subject to change without notice.

www.specialtylightingindustries.com

1306 DORIS AVENUE, OCEAN, NJ 07712 USA 800.462.7812 732.517.0800 FAX 732.517.0971 ©2006