

Dual lamp, solid state light engine, recessed accent lights with (2) 4" (102mm) square trim with 2" (50mm) aperture and optional glass diffuser. Accent and downlighting in low to medium ceiling heights typically found in residential, commercial and retail applications. Suitable for new or existing construction in sheetrock ceilings.

## SPECIFICATIONS

### HOUSING

- Precision die-formed heavy gauge aluminum

### MOUNTING

- Install from below into sheetrock ceiling

### ELECTRICAL

- Integral dimmable electronic driver with internal short circuit protection

### LAMP

- (2) Citizen LED supplied with fixture

### SOCKET

- Precision die-formed aluminum yoke with CNC machined lampholder assembly

### LENS

- Interchangeable reflector provides multiple beam patterns
- Optional borosilicate lenses available for lampholder and aperture


### TRIM

- Flangeless, one piece die-cast aluminum 2 square pyramidal shields

### FINISH

- Black powder paint housing
- Aperture trim available in white as standard

### LABELS

-  , US tested to UL standards 1598, Damp location

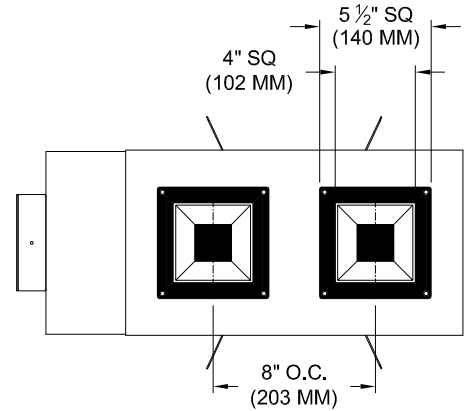
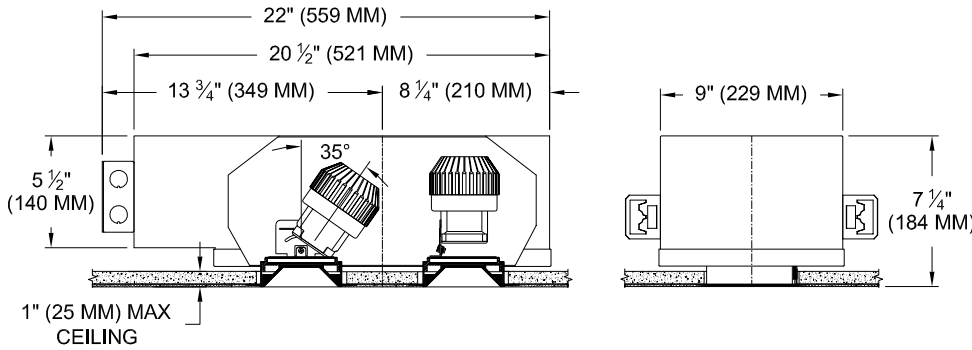
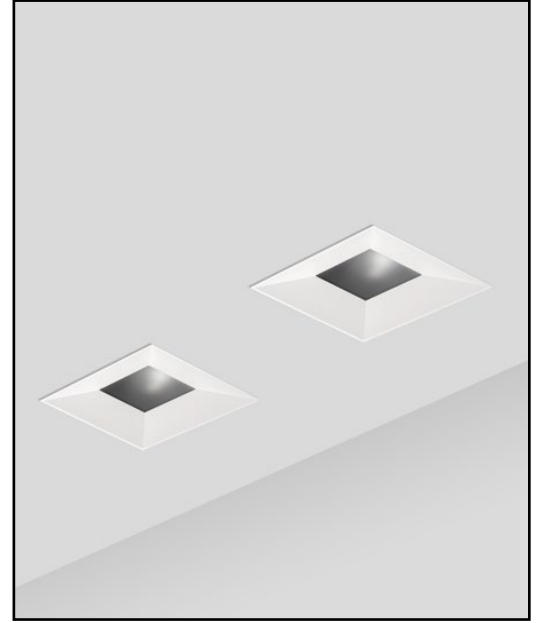
**JOB:** \_\_\_\_\_

**SPECIFIER:** \_\_\_\_\_

**TYPE:** \_\_\_\_\_

**QUANTITY:** \_\_\_\_\_

**SIGNATURE:** \_\_\_\_\_



## ORDERING INFORMATION

| 1009-2MDL-LEDZ-PH   | TRIM          | SOURCE / DRIVER  | BEAMSPREAD   | TRIM FINISH | APERTURE LENS                 |
|---|---------------|--|--|-------------|-------------------------------|
|   | ZT            | /  |  | P14         |                               |
| Dual Lamp<br>Plaster Housing<br>9 = 90+CRI 27 = 2700K<br>30 = 3000K<br>35 = 3500K<br>40 = 4000K | ZT= Zero Trim | CZ14=120-277v, 14W 1100lm<br>CZ20=120-277v, 20W 1650lm<br>S1 =0-10V dimming, 1%, 120-277v<br>T1 =TRIAC/ELV 2-wire, 3% 120v (Lead/Trail Edge)<br>E1 =EldoLED 0-10V Logarithmic Dim, 0.1%, 120-277v<br>E2 =EldoLED DALI, 0.1%, 120-277v<br>E3 =EldoLED 0-10V Linear Dim, 0.1%, 120-277v<br>L2 =Lutrn Hi-lume 1% 2-wr LED driver (120v fwd phase)<br>L3 =Lutron Hi-lume 1% 3-wire/EcoSystem, 120-277v<br>LTB =Lutron Hi-lume 1% EcoSys LED driver, 1%, 120-277v, Soft-on, Fade-to-Black | 15 = 15 Degrees<br>24 = 24 Degrees<br>38 = 38 Degrees<br>60 = 60 Degrees | P14 = White | 91A = Solite<br>93A = Frosted |



Patent Pending.  
These specifications subject to change without notice.

[www.specialtylightingindustries.com](http://www.specialtylightingindustries.com)  
1306 Doris Avenue, Ocean, NJ 07712 USA  
800.462.7812 732.517.0800 FAX:732.517.0971