

Dual lamp, solid state light engine, recessed accent lights with (2) 4" (102mm) square trim with 2" (50mm) aperture and optional glass diffuser. Accent and downlighting in low to medium ceiling heights typically found in residential, commercial and retail applications. Suitable for new construction.

## SPECIFICATIONS

### HOUSING

- Precision die-formed heavy gauge aluminum
- ≈ Airtight construction suitable for direct contact with insulation

### MOUNTING

- Recessed in architectural ceiling

### ELECTRICAL

- Integral dimmable electronic driver with internal short circuit protection

### LAMP

- (2) Citizen LED supplied with fixture

### SOCKET

- Precision die-formed aluminum yoke with CNC machined lampholder assembly

### LENS

- Interchangeable reflector provides multiple beam patterns
- Optional borosilicate lenses available for lampholder and aperture


### TRIM

- Flanged, one piece die-cast aluminum 2 square pyramidal shields

### FINISH

- Black powder paint housing
- Aperture trim available in white as standard

### LABELS

-  , US tested to UL standards 1598, Damp location, IC/Airtight

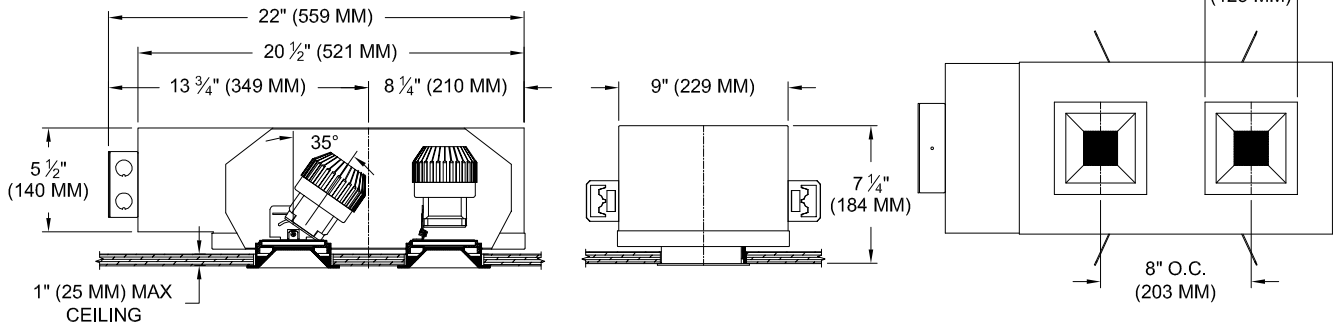
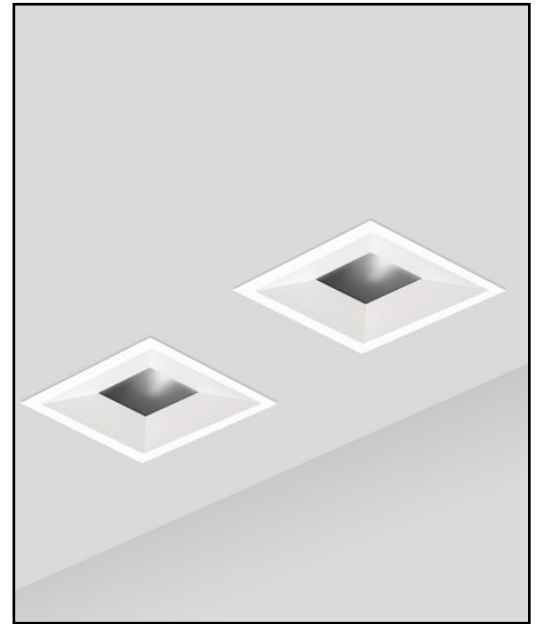
JOB: \_\_\_\_\_

SPECIFIER: \_\_\_\_\_

TYPE: \_\_\_\_\_

QUANTITY: \_\_\_\_\_

SIGNATURE: \_\_\_\_\_



## ORDERING INFORMATION

1009-2MDL-LEDZ-AUH	TRIM	SOURCE / DRIVER	BEAMSPREAD	TRIM FINISH	APERTURE LENS
	FT	/		P14	
Dual Lamp Airtight Universal Housing 9 = 90+CRI 27 = 2700K 30 = 3000K 35 = 3500K 40 = 4000K	FT= Flanged Trim	<b>CZ14</b> =120-277v, 14W 1100lm <b>CZ20</b> =120-277v, 20W 1650lm  S1 =0-10V dimming, 1%, 120-277v T1 =TRIAC/ELV 2-wire, 3% 120v (Lead/Trail Edge) E1 =EldoLED 0-10V Logarithmic Dim, 0.1%, 120-277v E2 =EldoLED DALI, 0.1%, 120-277v E3 =EldoLED 0-10V Linear Dim, 0.1%, 120-277v L2 =Ltrn Hi-lume 1% 2-wr LED driver (120v fwd phase) L3 =Lutron Hi-lume 1% 3-wire/EcoSystem, 120-277v LTB =Lutron Hi-lume 1% EcoSys LED driver, 1%, 120-277v, Soft-on, Fade-to-Black	<b>15</b> = 15 Degrees <b>24</b> = 24 Degrees <b>38</b> = 38 Degrees <b>60</b> = 60 Degrees	<b>P14</b> = White	<b>91A</b> = Solite <b>93A</b> = Frosted



Patent Pending.  
These specifications subject to change without notice.

[www.specialtylightingindustries.com](http://www.specialtylightingindustries.com)  
1306 Doris Avenue, Ocean, NJ 07712 USA  
800.462.7812 732.517.0800 FAX:732.517.0971