

Dual lamp, solid state light engine, recessed accent lights with (2) 4"(102mm) square trim with 2"(50mm) aperture and optional glass diffuser. Accent and downlighting in low to medium ceiling heights typically found in residential, commercial and retail applications. AmbientDim™ provides Superior CRI at all dimming levels.

SPECIFICATIONS

HOUSING

- Precision die-formed heavy gauge aluminum
- ≈ Airtight construction suitable for direct contact with insulation

MOUNTING

- Install from below into sheetrock ceiling

ELECTRICAL

- Integral dimmable electronic driver with internal short circuit protection

LAMP

- (2) AmbientDim™ LED supplied with fixture

SOCKET

- Precision die-formed aluminum yoke with CNC machined lampholder assembly

LENS

- Interchangeable reflector provides multiple beam patterns
- Optional borosilicate lenses available for lampholder and aperture


TRIM

- Flanged, one piece die-cast aluminum 2 square pyramidal shields

FINISH

- Black powder paint housing
- Aperture trim available in white as standard

LABELS

-  , US tested to UL standards 1598, Damp location, IC/Airtight, Chicago Plenum

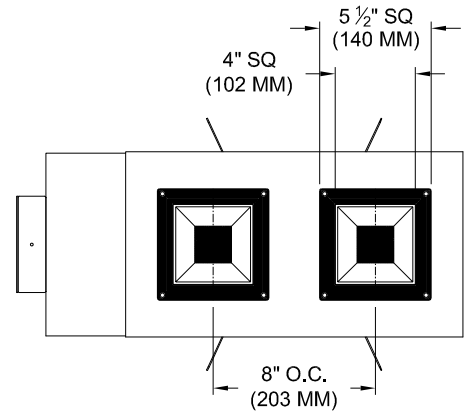
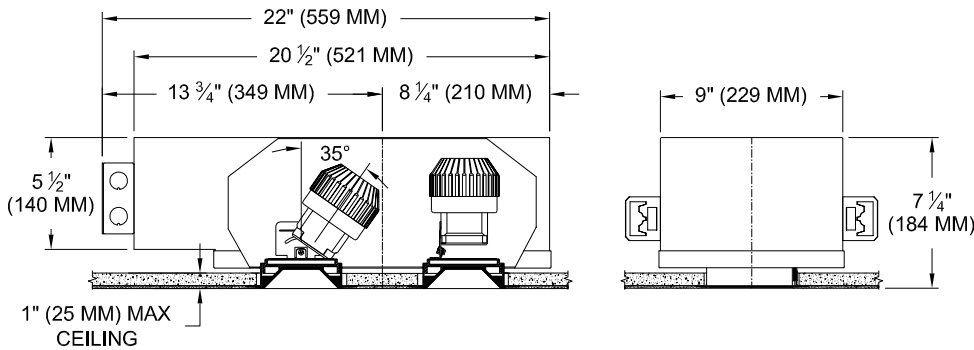
JOB: _____

SPECIFIER: _____

TYPE: _____

QUANTITY: _____

SIGNATURE: _____



ORDERING INFORMATION

| 1009-2MDL-LED-AD-APH | TRIM | DRIVER | BEAMSPREAD | TRIM FINISH | APERTURE LENS | ACCESSORIES |
|---|---------------|--|--|-------------|-------------------------------|---------------------|
| | ZT | AD14 / | | P14 | | |
| Airtight Plaster Housing Ambient Dimming LED *CCT Max 3000K-1900K | ZT= Zero Trim | AD14=350ma, 14.5W, 1000lm S1 =0-10V dimming, 1%, 120-277v T1 =TRIAC/ELV 2-wire, 3% 120v (Lead/Trail Edge) E1 =EldoLED 0-10V Logarithmic Dim, 0.1%, 120-277v E2 =EldoLED DALI, 0.1%, 120-277v E3 =EldoLED 0-10V Linear Dim, 0.1%, 120-277v L2 =Ltrn Hi-lume 1% 2-wr LED driver (120v fwd phase) L3 =Lutron Hi-lume 1% 3-wire/EcoSystem, 120-277v LTB =Lutron Hi-lume 1% EcoSys LED driver, 1%, 120-277v, Soft-on, Fade-to-Black | 15 = 15 Degrees 24 = 24 Degrees 38 = 38 Degrees 60 = 60 Degrees | P14 = White | 91A = Solite 93A = Frosted | CP = Chicago Plenum |



Patent Pending.
These specifications subject to change without notice.

www.specialtylightingindustries.com
1306 Doris Avenue, Ocean, NJ 07712 USA
800.462.7812 732.517.0800 FAX:732.517.0971