

Dual lamp, solid state light engine, recessed accent light with nominal 4"x 9" (100mm x 225mm) trim, rectilinear aperture and optional glass diffuser. Accent and downlighting in low to medium ceiling heights typically found in residential, commercial and retail applications.

**SPECIFICATIONS**

**HOUSING**

- Precision die-formed heavy gauge aluminum
- ≈ Airtight construction suitable for direct contact with insulation

**MOUNTING**

- Recessed in architectural ceiling

**ELECTRICAL**

- Integral dimmable electronic driver with internal short circuit protection

**LAMP**

- (2) Xicato LEDs supplied with fixture

**SOCKET**

- Precision aluminum yoke with CNC machined lampholder assembly

**LENS**

- Interchangeable reflector provides multiple beam patterns
- Optional borosilicate lenses available for aperture



**TRIM**

- Flanged or flangeless, one piece die-cast aluminum pyramidal shield
- ST is flanged trim fully sealed and gasketed. Aperture lens required

**FINISH**

- Black powder paint housing
- Aperture trim available in black and white as standard
- Solid wood, additional colors, RAL palette, custom finishes available

**LABELS**

-  , US tested to UL standards 1598, Damp location, Wet with ST trim, IC/Airtight, Chicago Plenum,  JA8 Approved

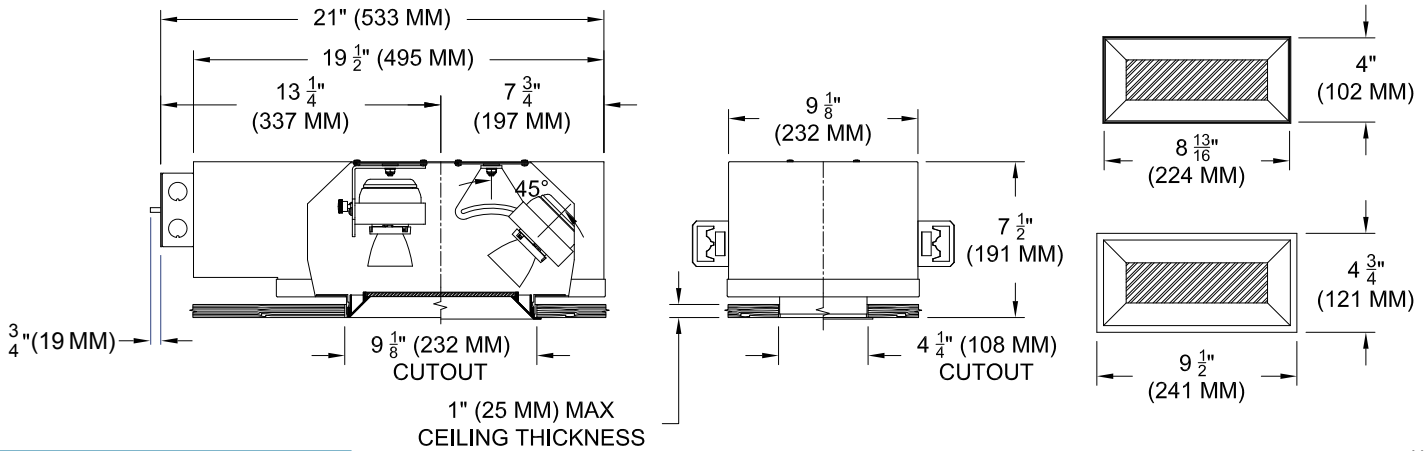
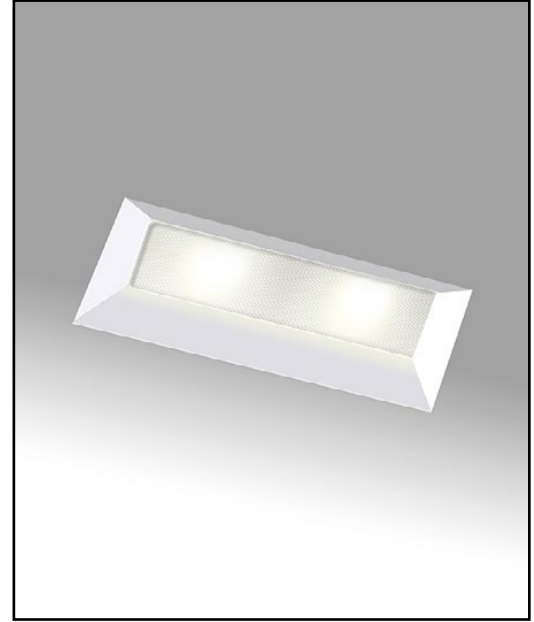
**JOB:** \_\_\_\_\_

**SPECIFIER:** \_\_\_\_\_

**TYPE:** \_\_\_\_\_

**QUANTITY:** \_\_\_\_\_

**SIGNATURE:** \_\_\_\_\_



Hanger bars sold separately

**ORDERING INFORMATION**

| 1009-2LEDX-AUH   | TRIM   | SOURCE / DRIVER  | BEAMSPREAD  | TRIM FINISH   | APERTURE LENS   | ACCESSORIES       |
|--|--|--|---|---|---|-------------------|
|  |  | /  |   |   |   |                   |
| Airtight Plaster Housing<br>8 = 80CRI • 27 = 2700K<br>• 9 = 98CRI • 30 = 3000K<br>35 = 3500K<br>40 = 4000K | FT=Flanged Trim<br>PT=Panel Trim**<br>ST=Shower Trim*<br>ZT=Zero Trim<br><br>**WXX Only<br>*Aperture lens required | • XT8 = 120v-277v, 8W 800lm<br>• XT12 = 120v-277v, 12W 1055lm<br>• XT17 = 120v-277v, 17W 1400lm<br>• XT26 = 120v-277v, 26W 2000lm<br><br>• C1 =0-10V dimming, 1%, 120-277v<br>• C2 =TRIAC/ELV 2-wire, 1% 120v (Lead/Trail Edge)<br>• E1 =EldoLED 0-10V Logarithmic Dim, 0.1%, 120-277v<br>• E2 =EldoLED DALI, 0.1%, 120-277v<br>• E3 =EldoLED 0-10V Linear Dim, 0.1%, 120-277v<br>• L2 =Lutron Hi-lume 1% 2-wire LED driver (120v forward phase)<br>• LTB =Lutron Hi-lume 1% EcoSys LED driver, 1%, 120-277v, Soft-on, Fade-to-Black<br>• LTP =Lutron Hi-lume Premier 0.1%, Fade-to-Black digital Ecosystem, 120-277v (PEQO) | 20 = 20 Degrees<br>30 = 30 Degrees<br>40 = 40 Degrees | P14 = White<br>BLK=Black<br>PXX = SLI Color<br>WXX = Wood<br>XXXX = RAL #<br>CST = Custom | Blank= None<br>90A = Clear<br>91A = Solite<br>92A = Supertex<br>93A = Frosted | CP=Chicago Plenum |

• California Title 24- JA8 Approved

Driver specs based on 98 CRI. [Click to View 80 CRI driver specs](#)

Patent Pending. These specifications subject to change without notice.



[www.specialtylightingindustries.com](http://www.specialtylightingindustries.com)  
 1306 Doris Avenue, Ocean, NJ 07712 USA  
 800.462.7812 732.517.0800 FAX:732.517.0971