

Multi lamp, solid state light engine, recessed, open slot accent light. Accent and downlighting in low to medium ceiling heights typically found in residential, commercial and retail applications. Suitable for new or existing construction in sheetrock ceiling.

**SPECIFICATIONS**

**HOUSING**

- Extruded aluminum with bolt on end plates and integral flange

**MOUNTING**

- Recessed in architectural ceiling

**ELECTRICAL**

- Integral dimmable electronic driver with internal short circuit protection
- 120v-277v primary, compatible with 0-10v dimmers
- Available for 120v phase control (ELV) and Lutron

**LAMP**

- Citizen LEDs supplied with fixture
- Available in 2700 thru 4000K color temperature and 90+ CRI

**SOCKET**

- Precision die-formed aluminum yoke with CNC machined lampholder assembly

**LENS**

- Solite, Veiling Acrylic available as standard. For more options, consult factory

**OPTICS**

- Interchangeable reflector provides multiple beam patterns

**TRIM**

- Flanged

**FINISH**

- Powder paint on all surfaces in black and white as standard
- Additional colors and RAL palette available
- Consult factory for custom finishes

**LABELS**

-  , US tested to UL standards 1598, Damp location

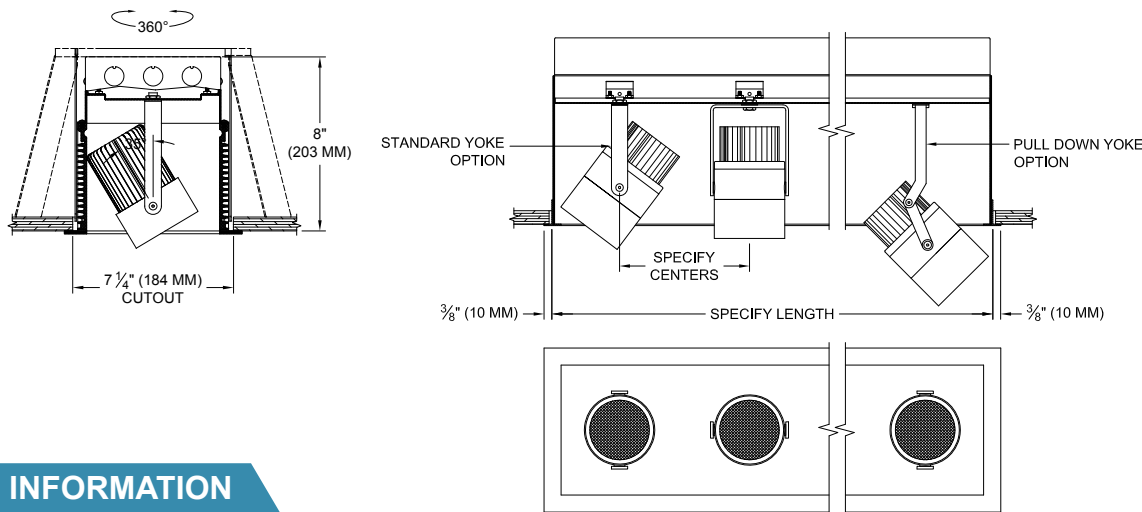
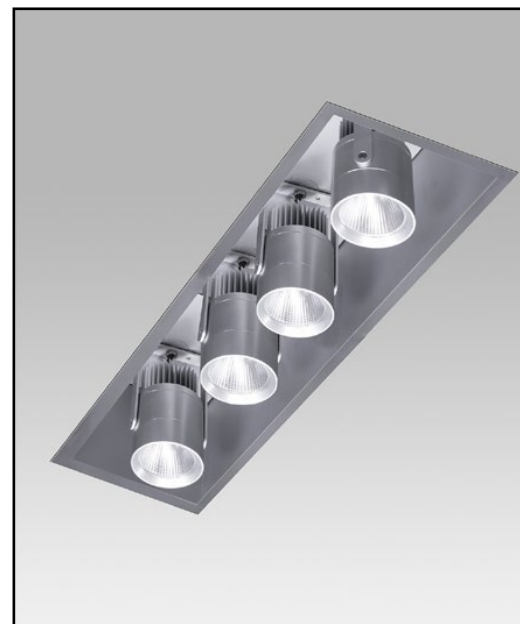
**JOB:** \_\_\_\_\_

**SPECIFIER:** \_\_\_\_\_

**TYPE:** \_\_\_\_\_

**QUANTITY:** \_\_\_\_\_

**SIGNATURE:** \_\_\_\_\_



**ORDERING INFORMATION**

1005C-LEDZ-FH	LENGTH	LAMP SPACING	DRIVER	BEAMSPREAD	FINISH	LAMP LENS
Flanged Housing 9 = 90+CRI 27 = 2700K 30 = 3000K 35 = 3500K 40 = 4000K	Specify length	4 = 4" (102mm) 6 = 6" (152mm) 8 = 8" (203mm) 12 = 12" (305mm) CST= Custom (please advise)	CZ14=120-277v, 14W 1640lm CZ20=120-277v, 20W 2265lm <small>*Add ELDO for EldoLED 0-10v Dimming, *DM2 for 2 wire dimming, *LT2 for Lutron 2 wire, *LT3 for Lutron 3 wire, *LT5 Lutron 5 wire</small>	15 = 15 Degrees 24 = 24 Degrees 38 = 38 Degrees 60 = 60 Degrees	P14 = White BLK=Black PXX = SLI Color WXX = Wood XXXX = RAL # CST = Custom	Blank= None 91A = Solite 79A = Veiling Acrylic



Patent Pending. These specifications subject to change without notice.

[www.specialtylightingindustries.com](http://www.specialtylightingindustries.com)  
1306 Doris Avenue, Ocean, NJ 07712 USA  
800.462.7812 732.517.0800 FAX:732.517.0971