

Single lamp, solid state light engine, recessed accent light with nominal 4.5" (114mm) square aperture. Accent and downlighting in low to medium ceiling heights typically found in residential, commercial and retail applications. Suitable for new or existing construction in sheetrock ceiling.

SPECIFICATIONS

HOUSING

- Extruded aluminum with bolt on end plates and integral plaster flange

MOUNTING

- Install from below into sheetrock ceiling

ELECTRICAL

- Integral dimmable electronic driver with internal short circuit protection

LAMP

- Citizen LED supplied with fixture

SOCKET

- Precision aluminum yoke with CNC machined lampholder assembly

LENS

- Interchangeable reflector provides multiple beam patterns
- Solite, Veiling Acrylic available as standard. For more options, consult factory


TRIM

- Flangeless housing

FINISH

- Powder paint on all surfaces in black and white as standard
- Additional colors and RAL palette available
- Consult factory for custom finishes

LABELS

-  , US tested to UL standards 1598, Damp location

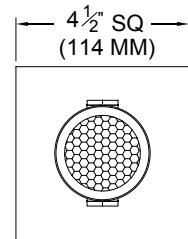
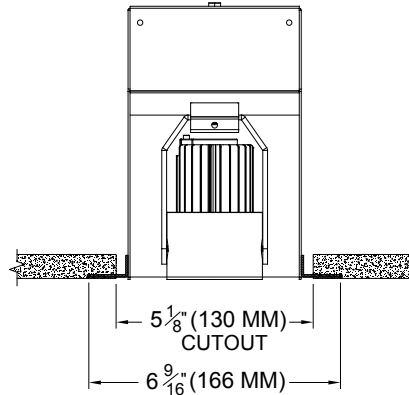
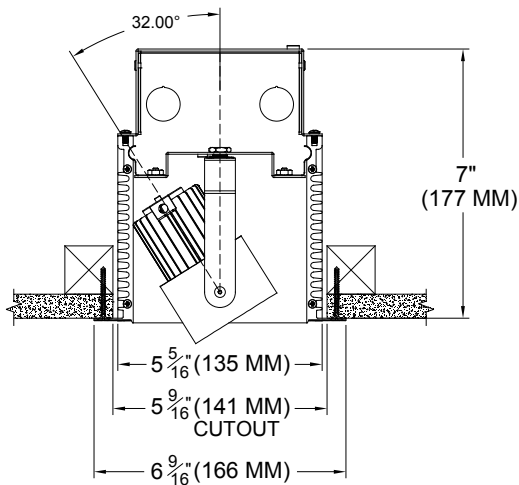
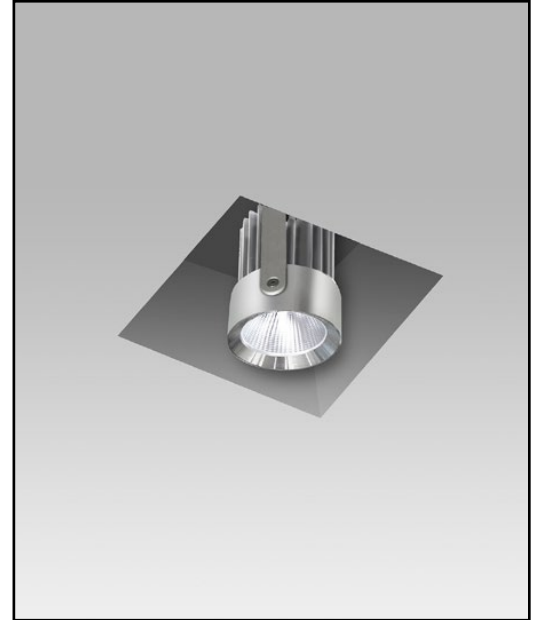
JOB: _____

SPECIFIER: _____

TYPE: _____

QUANTITY: _____

SIGNATURE: _____



ORDERING INFORMATION

1005-LEDZ-PH	SOURCE / DRIVER	BEAMSPREAD	FINISH	LAMP LENS	ACCESSORIES
	CZ14 /				
Plaster Housing 9 = 90+CRI 27 = 2700K 30 = 3000K 35 = 3500K 40 = 4000K	CZ14 =120-277v, 14W 1450lm C1 =0-10V dimming, 1%, 120-277v C2 =TRIAC/ELV 2-wire, 1% 120v (Lead/Trail Edge) E1 =EldoLED 0-10V Logarithmic Dim, 0.1%, 120-277v E2 =EldoLED DALI, 0.1%, 120-277v E3 =EldoLED 0-10V Linear Dim, 0.1%, 120-277v L2 =Ltm Hi-lume 1% 2-wr LED driver (120v fwd phase) LTB =Lutron Hi-lume 1% EcoSys LED driver, 1%, 120-277v, Soft-on, Fade-to-Black	10 = 10 Degrees 20 = 20 Degrees 30 = 30 Degrees	P14 = White BLK=Black ANA = Clear Aluminum XXXX = RAL# CST = Custom	Blank = None 79A=Veiling Acrylic 91A = Solite 93A = Frosted	97L = Black Hexcell